

Ritter®

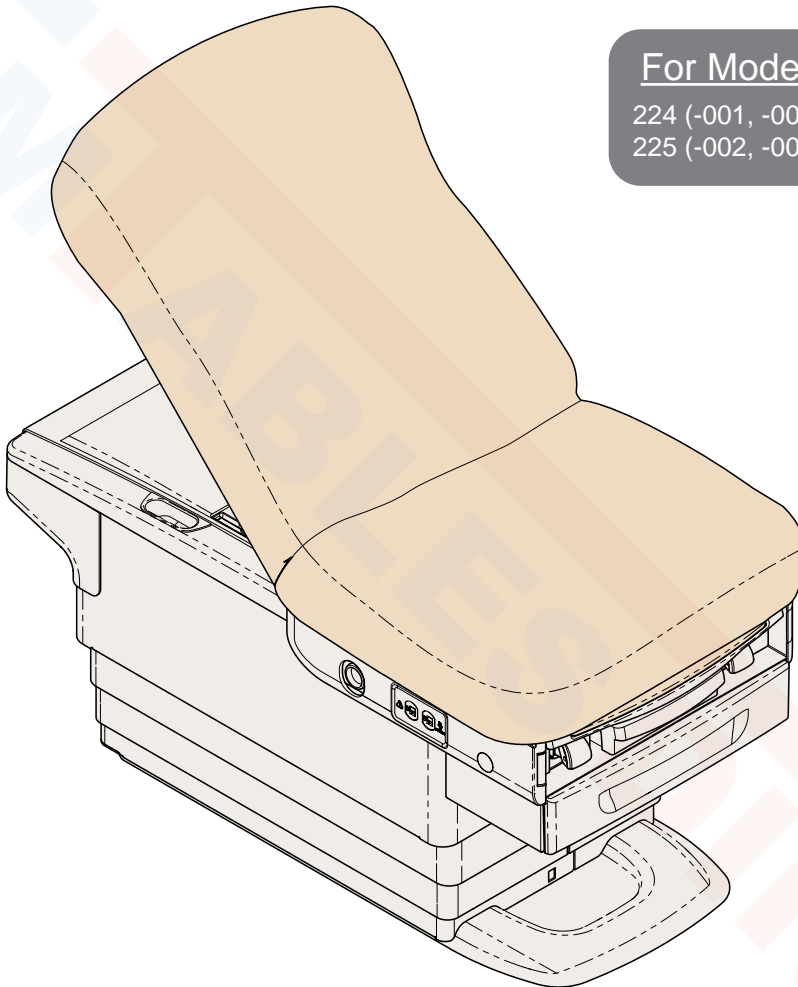
Barrier-Free® Exam Chair

[English](#)
[Español](#)
[Français](#)

For Models:

224 (-001, -002, -003)

225 (-002, -003)



MA10327i

User Guide

003-10025-99 Rev. AA6 (11/10/21)
TP202 20-42-FO-00014 Rev A2 C2169
Style P

Shop tables & accessories at

Product Information

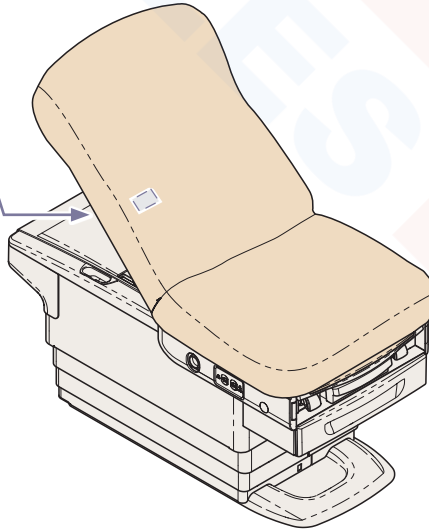
Dealer:

Date of Purchase:

Model / Serial Number:

Midmark Authorized Service Company:

**Model / Serial Number Label
Located on the Back Mounting Frame**
(exact location may vary)



MA100311

Table of Contents

Important Information

Safety Symbols.....	4
Product Registration.....	5
Transportation / Storage Conditions.....	5
Operating Conditions.....	5
Disposal of Equipment.....	5
Authorized Representatives.....	6
Intended Use.....	7
Electrical Requirements.....	7
Electromagnetic Interference.....	7
Safety Instructions.....	9

Operation

Active Sensing Technology™.....	11
Base Up / Down Function.....	12
Back Up / Down Function.....	13
Paper Roll & Tear Strap.....	15
Stirrups.....	16
Footrest & Treatment Pan.....	17
Drawer w/ Heater.....	18
Pelvic Tilt.....	19
Duplex Receptacles.....	20
Clean Assist™ Roller System.....	21

Maintenance

Calling for Service.....	22
Cleaning.....	22
Preventative Maintenance.....	22

Specifications

Specifications Chart.....	23
Model Identification / Compliance Chart.....	24
Range of Motion.....	25
Dimensions.....	26

Warranty Information

Limited Warranty.....	27
-----------------------	----

Important Information - Safety Symbols



WARNING

Indicates a potentially hazardous situation which could result in serious injury.



Caution

Indicates a potentially hazardous situation which may result in minor or moderate injury. It may also be used to alert against unsafe practices



Equipment Alert

Indicates a situation which could result in equipment damage.

Note

Amplifies a procedure, practice, or condition.

Symbol Glossary



Duty Cycle (motor run time)
30 seconds ON, 5 minutes OFF



Serial Number



Proper shipping orientation



Keep dry



Fragile



Maximum stacking height
(palletted units)



Type B, Applied Part
(Upholstery)



Fuse rating specification



Protective earth ground



Dangerous voltage / shock hazard



Patient Weight Limit



Refer to manual



Manufacturer



Catalogue Number



Operating Instructions

Product Registration

To register your product, go to www.midmark.com

Transportation / Storage Conditions

Ambient Temperature Range:.....-30°C to +60°C (-22°F to +140°F)

Relative Humidity.....10% to 90% (non-condensing)

Operating Conditions

Ambient Temperature Range:.....+10°C to +40°C (+50°F to +104°F)

Relative Humidity.....30% to 75% (non-condensing)

Altitude.....3000m or less

Disposal of Equipment

At the end of product life, the chair, accessories, and other consumable goods may have become contaminated due to normal medical use. Consult local codes and ordinances for proper disposal of equipment, accessories and other consumable goods.

Authorized Representatives



WARNING

In the event of any serious incident in relation to the device, please contact Midmark and the appropriate competent authority.

Customers in Colombia should direct all questions, incidents, and complaints to Midmark's Authorized Representative listed below.

Técnica Electromédica S.A.

Calle 47 # 5-26

Bogota Colombia c.p. 110111

Tel. (+ 57 1) 756 87 87

atencionalcliente@tecnicaelectromedica.com

Customers in Costa Rica should direct all questions, incidents, and complaints to Midmark's Authorized Representative listed below.

Corporacion Almotec SA

225 metros al sur de oficina de correos

San Jose, Zapote, Costa Rica

Tel: 506 7112 9782

Customers in the Panama should direct all questions, incidents, and complaints to Midmark's Authorized Representative listed below.

TECNIDENTAL PANAMA S.A.

VILLA MAGNA, VILLA ZAITA

OFFICE B8

PANAMA

Tel/Fax: 343-4049/ 6614-8029

tecnidentalpanama@gmail.com

Customers in Mexico should direct all questions, incidents, and complaints to Midmark's Authorized Representative listed below.

Sofía Zavala | Asuntos Regulatorios

Carlos Nafarrate SA de CV

Avenida Las Américas 601,

Ladrón de Guevara, 44600,

Guadalajara, Jalisco, México | Tel (33) 3669 9800

Intended Use

The examination chair is intended to be used as a chair / table to provide positioning and support of patients during general examination procedures conducted by medical professionals.

Electrical Requirements

Before connecting the Midmark device power cord into an electrical power source outlet, it is recommended to contact a local licensed electrician or a local Authority Having Jurisdiction over the internal building power distribution to verify that the device when powered up will comply with all local electrical codes. Use the electrical power rating marked on the device when determining the appropriate electrical branch circuit and outlet requirements. For 115V rated device models with a current rating at or above 12 Amps, a dedicated branch circuit may be required if the branch circuit protection is provided by a 15 Amp breaker.



Caution

To completely isolate the chair from electrical mains supply, power cord must be unplugged.



Caution

Prior to use of high frequency surgical devices or endocardial catheters, consult the operating instructions for those devices. Failure to comply may result in electric shock or burns to the patient.

Electromagnetic Interference

This product is designed and built to minimize electromagnetic interference with other devices. However, if interference is noticed between another device and this product:

- Remove interfering device from room
- Plug chair into isolated circuit
- Increase separation between chair and interfering device
- Contact Midmark if interference persists



Equipment Alert

Portable RF communications equipment (including peripherals such as antenna cables and external antennas) should be used no closer than 30 cm (12 inches) to any part of the Exam Chair including cables specified by the manufacturer. Otherwise, degradation of the performance of this equipment could result.

EMC - Manufacturer's Declaration and Guidance

Note

The emissions characteristics of this equipment make it suitable for use in industrial areas and hospitals. The exam chair is not intended to be used in a residential environment.

Immunity Test	Immunity Test Level
Electrostatic Discharge	± 8 kV Contact, ±15 kV Air
Radiated RF EM Fields	3V/m 80MHz-2.7 GHz 80% AM at 1kHz
Rated Power Frequency Magnetic Fields	30 A/m
Electrical Fast Transients	±2 kV at 100kHz repetition frequency
Surges	Line to Line: ±1 kV Line to Ground: ±2 kV
Conducted RF	3V: 0.15MHz -80MHz 6V in ISM Bands between 0.15MHz - 80MHz 80% AM at 1kHz
Voltage Dips	0 % UT; 0,5 cycle At 0°, 45°, 90°, 135°, 180°, 225°, 270° and 315° 0 % UT; 1 cycle and 70 % UT; 25/30 cycles Single phase: at 0°
Voltage Interruptions	0 % UT; 250/300 cycle

Radiated Test	Radiated Test Level
Conducted and Radiated RF Emissions	CISPR 11 Group 1 Class A

Safety Instructions



WARNING

No modification of this equipment is allowed.



WARNING

Connecting equipment to the multiple socket outlet effectively leads to creating a Medical Electrical System and the result can be a reduced level of safety.



WARNING

To avoid a fire hazard or risk of electric shock, this equipment must only be connected to a supply mains with protective earth ground.



WARNING

Ensure that the surrounding area is clear of obstructions prior to each use. Otherwise improper operation and serious injury could occur.



WARNING

Use of accessories, transducers and cables other than those specified or provided by the manufacturer of this equipment could result in increased electromagnetic emissions or decreased electromagnetic immunity of this equipment and result in improper operation.



WARNING

This product can expose you to chemicals including Antimony Oxide (Antimony Trioxide), which is known to the state of California to cause cancer. For more information go to www.p65warnings.ca.gov



WARNING

Equipment is not suitable for use in the presence of a flammable anesthetic mixture.

Clarification: Equipment is suitable for use in the presence of oxygen, air, or nitrous oxide.

Safety Instructions - continued



WARNING

Be sure that all personnel and equipment are clear of the chair before activating any function. Keep a minimum 6 in. (15.25 cm) clearance surrounding the chair. Failure to do so could result in personal injury.

At the chair's lowest height [18 in. (46 cm)], the clearance between the bottom of the drawer and the floor is approximately 5 in. (12.7 cm). Make sure patient (*esp. feet*) and all objects are clear of this area before lowering chair.

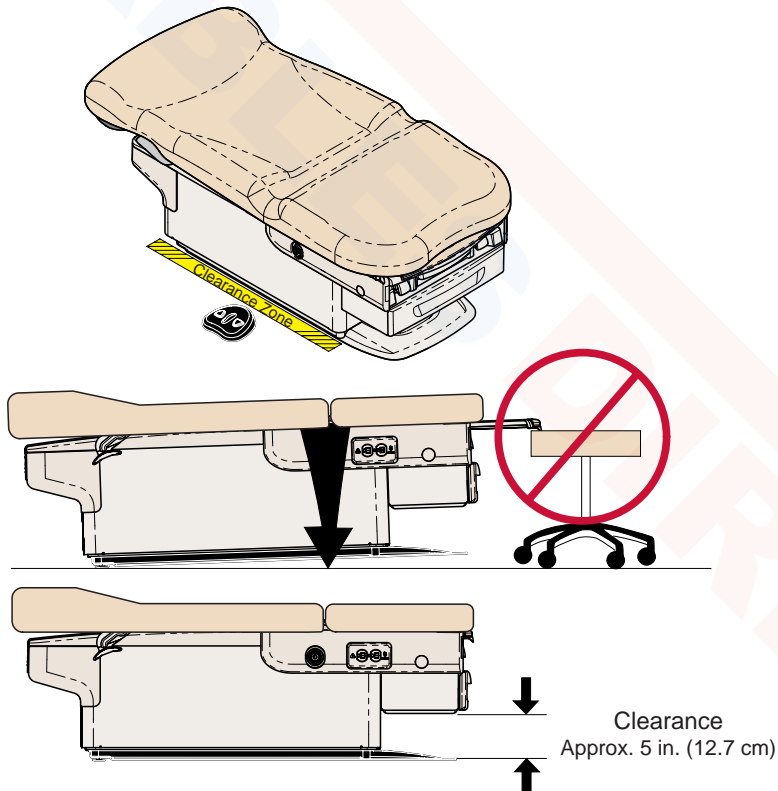


Equipment Alert

Chair must be positioned in normal use such that the power cords can be easily accessed to unplug.

If the chair malfunctions, immediately release controller, unplug the chair power cord, and assist the patient from the chair. If chair continues to malfunction, call for service.

Failure to comply with these instructions may result in injury to patient and/or damage to equipment.



English - 10

Operation

Active Sensing Technology™



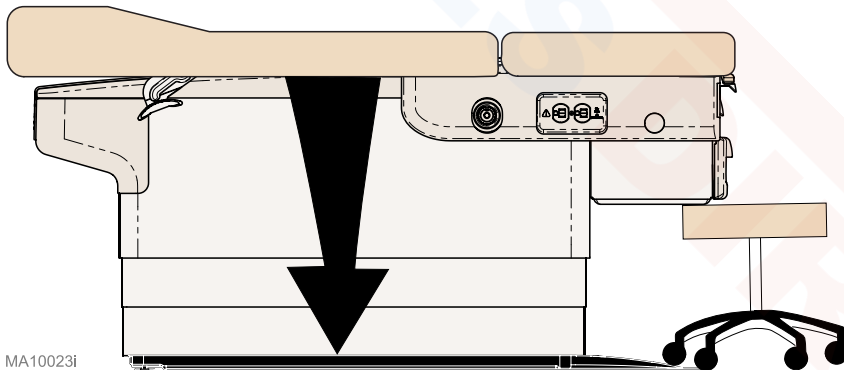
WARNING

Be sure that all personnel and equipment are clear of the chair before activating any function. Failure to do so could result in personal injury.

The Active Sensing Technology™ prevents the chair from moving Down if the bottom of the drawer contacts another object. If the Active Sensing Technology™ is activated, it will sound a series of “Beeps,” disable the Base Down function and move chair in the Base Up direction. To resume Base Down operation, remove object from under the bottom of the drawer and press the Base Up / Down buttons on controller.

Note

The Active Sensing Technology™ is not available on models without drawer.



MA10023i

Operation

Base Up / Down Function

Attention!

The Active Sensing Technology™ will stop the Base Down function and retract Up if the bottom of the drawer contacts another object.

(You will hear a series of “Beeps” if the Active Sensing Technology™ is activated.)

To resume Base Down operation:

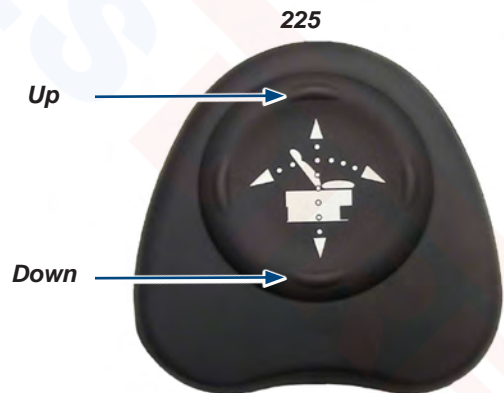
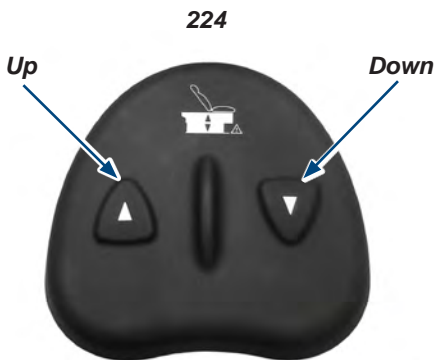
Remove object from under the bottom of the drawer.

Press Base Down button.

Note

The chair automatically stops at its maximum and minimum height.

To move the chair Up or Down...
Press and hold the appropriate button.

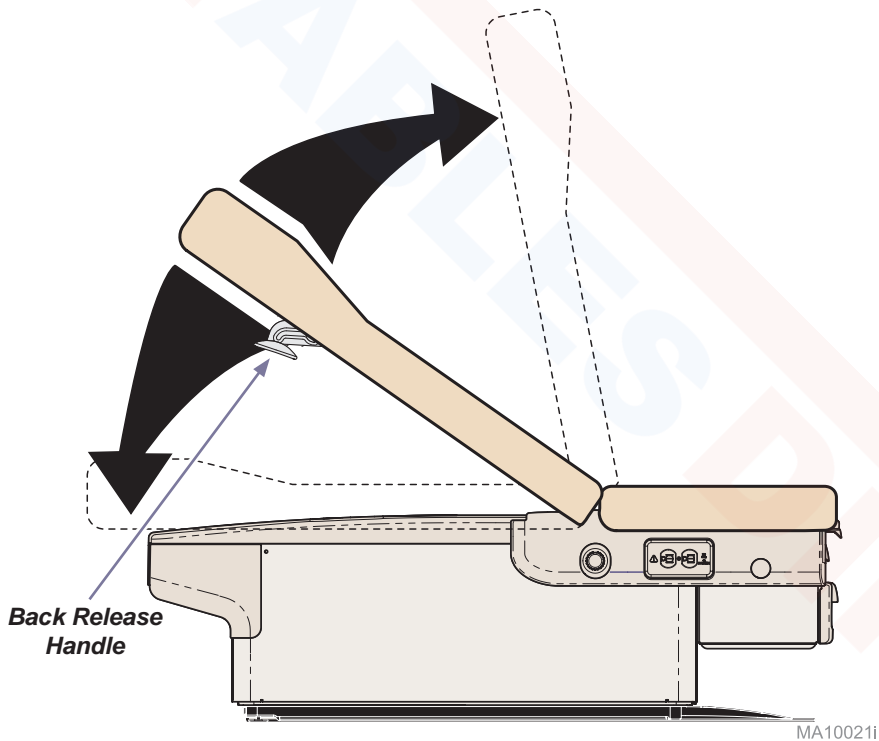


Operation - continued

Back Up / Down Function - 224

To position the back section...

- A) While holding the back section in place, squeeze the Back Release Handle (either side).
- B) Move the back section.
- C) Release handle to lock back section in position.



Operation - continued

Back Up / Down Function - 225

Note

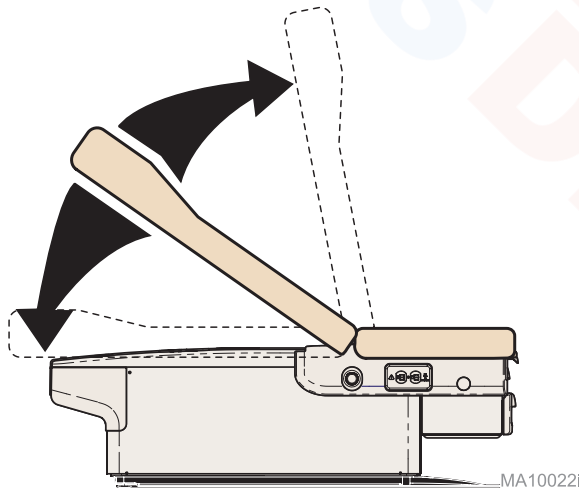
The back section automatically stops at the top and bottom of its travel.

To position the back section...

Press and hold the appropriate button.

Down

Up

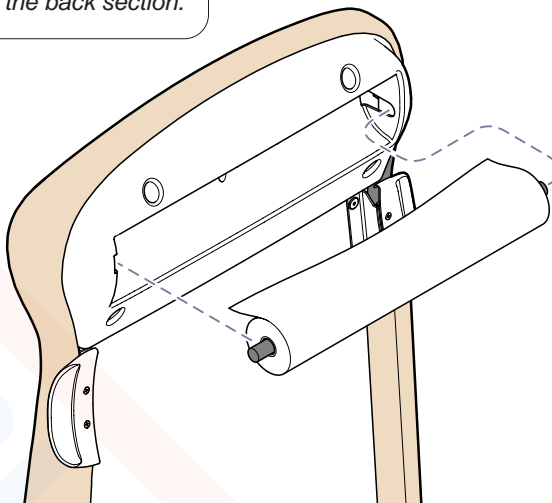


Paper Roll & Tear Strap

Paper Roll Size (maximum):..... 24 in. wide x 3.5/8 in. diameter
(61 cm x 9.2 cm)

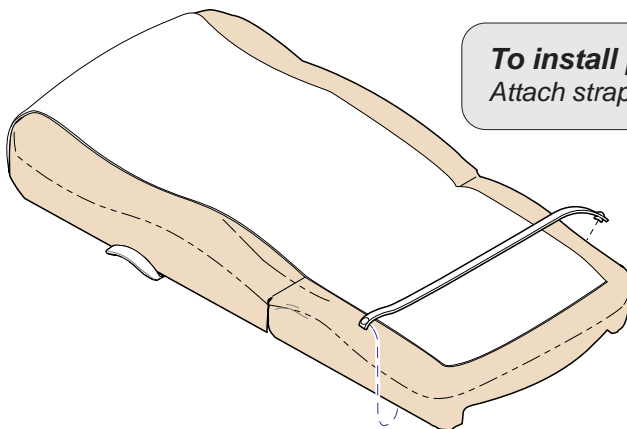
Note

One additional paper roll may be stored under the back section.



WARNING

To avoid injury, do not put head or extremities under the paper tear strap.



To install paper tear strap...

Attach strap to snaps on each side of chair.

Stirrups

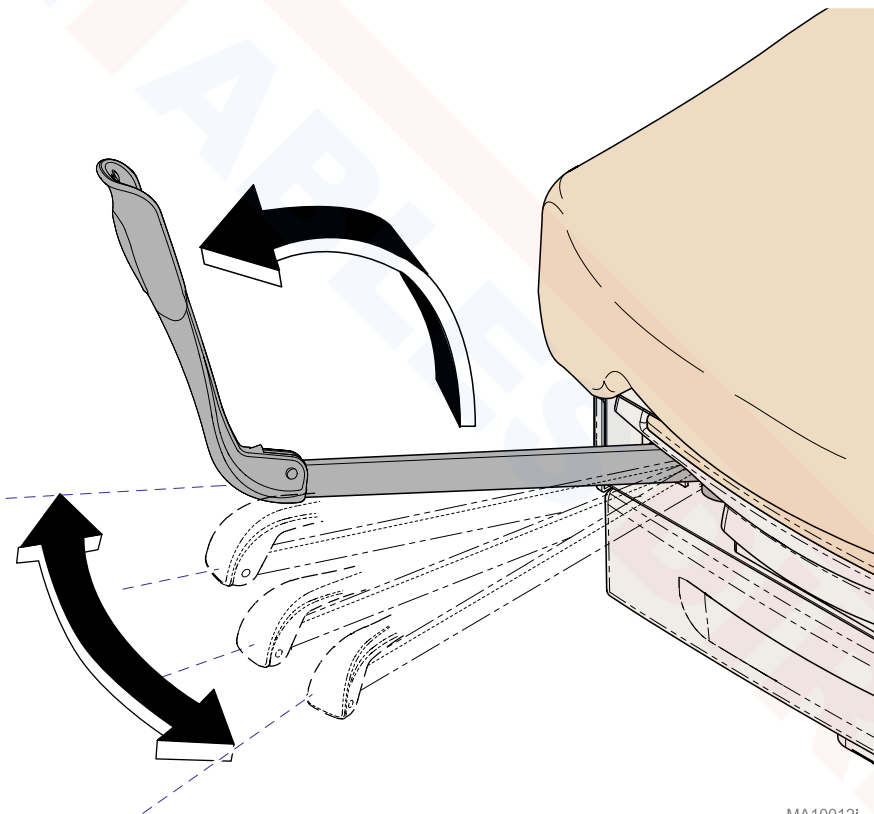


Caution

Be sure the stirrups are locked in place before using.
The stirrups will not support the patient's entire weight.

To position the stirrups...

- A) Pull the stirrup out, then unfold.
- B) Lift the stirrup slightly, then move it left or right as desired.
- C) Release stirrup to lock in position.



MA10012i

Footrest & Treatment Pan (not available on all models)

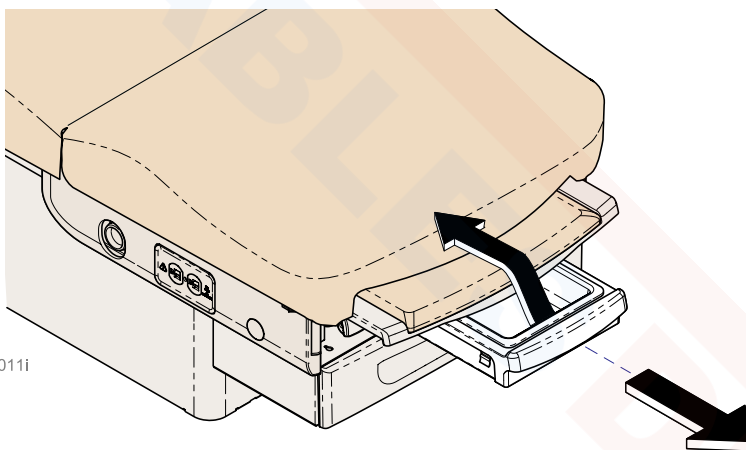


WARNING

Do not use footrest to support patient's entire weight.

To extend footrest...

Pull footrest out to desired position.



MA10011i

To access the treatment pan...

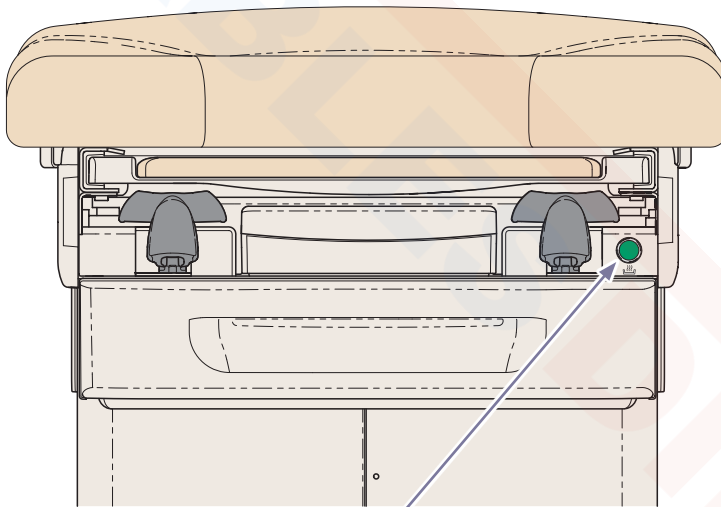
Pull treatment pan out to desired position.

Drawer w/ Heater (not available on all models)

The drawer heater warms to 92°F (33°C) to 112°F (44°C) measured at the center of the drawer at room temperature and nominal input voltage.

To turn the drawer heater ON / OFF...
Press and release the drawer heater switch.

Note: Switch will illuminate when heater is ON.



***Drawer Heater
Switch***

MA10015I

Pelvic Tilt (not available on all models)

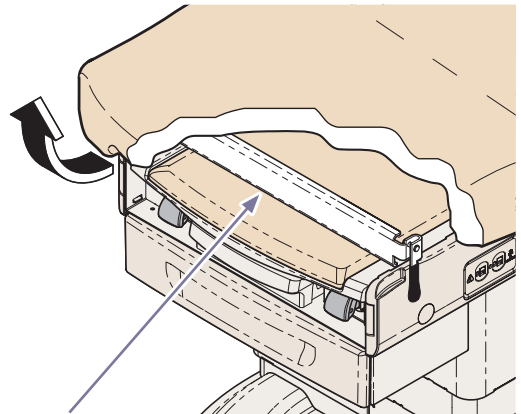


WARNING

To avoid risk of injury do not put extremities under the seat.

To elevate seat section...

Lift seat until pelvic support drops into place.

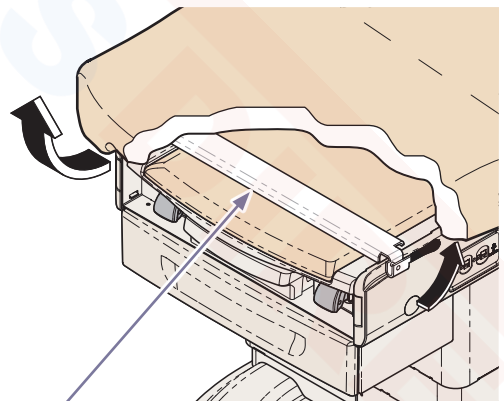


Pelvic Support

MA10017i

To return seat section to flat position...

- A) Lift seat section slightly.
- B) Pivot pelvic support handle upward.
- C) Lower seat section slowly.



Pelvic Support

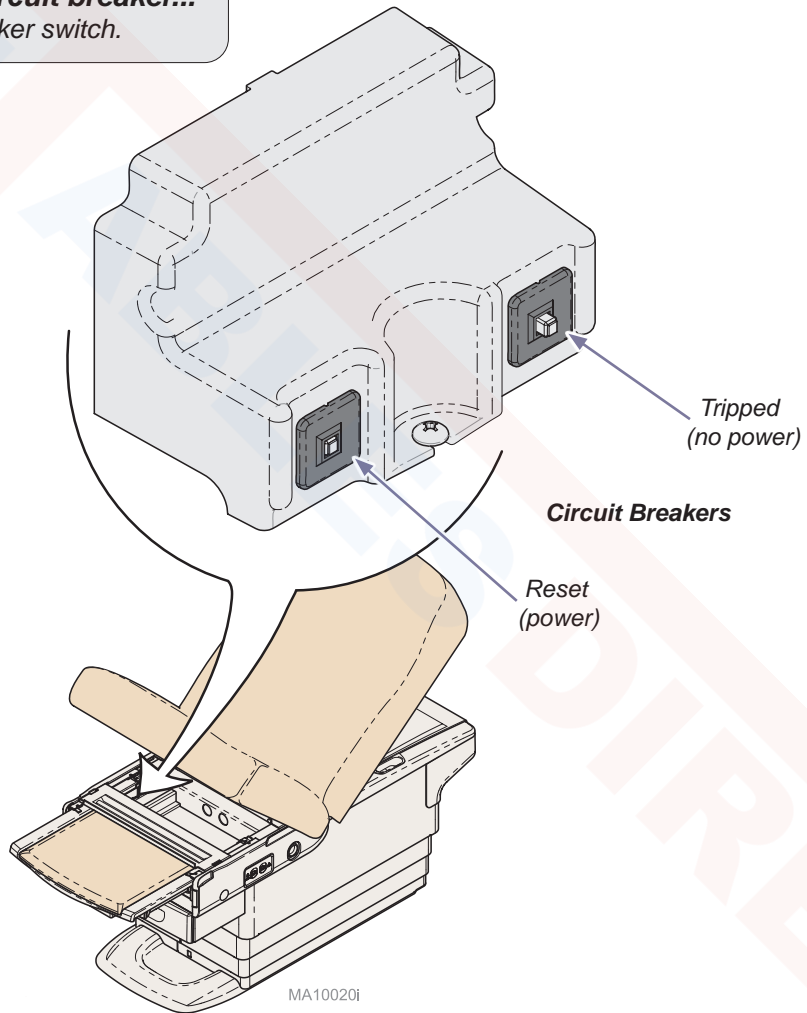
MA10018i

Duplex Receptacles (not available on all models)

The duplex receptacles on each side of chair provide power for accessories used during medical procedures. There are two circuit breakers located under the seat section. If the receptacles' maximum load is exceeded, the circuit breakers interrupt power to the receptacles.

Maximum Load.....115 VAC, 4 amps

To reset the circuit breaker...
Push circuit breaker switch.



Clean Assist™ Roller System (not available on all models)

Control levers located under the back section on each side, activate and deactivate the **Clean Assist™ Roller System**. The rollers are located on each corner of the chair to allow positioning of chair.



Caution

To prevent injury, never activate / deactivate Clean Assist™ Roller System or move chair with patient aboard. Use caution when moving chair.



Equipment Alert

The intended use of the Clean Assist™ Roller System is for chair positioning within the exam room only.



Equipment Alert

Be sure to activate both control levers.



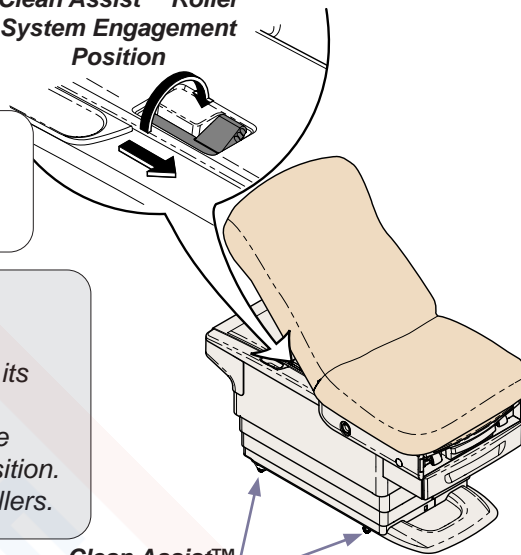
WARNING

To avoid risk of fall, the Clean Assist™ Roller System must be disengaged while a patient ingresses or egresses the chair.

To activate Clean Assist™ Roller System...

- Raise back section 30 to 45 degrees.
- Ensure chair is at least two inches higher than its lowest position.
- Move control levers on each side of chair to the Clean Assist™ Roller System engagement position.
- Move chair to the lowest position to activate rollers.

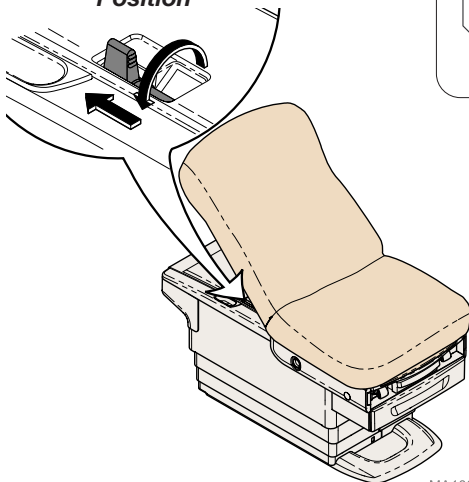
Clean Assist™ Roller System Engagement Position



Clean Assist™ Roller System

MA10033i

Clean Assist™ Roller System Disengagement Position



MA10029i



Equipment Alert

After Clean Assist™ Roller System has been activated, disconnect power cord and foot control and stow away from chair to prevent damage to cords.

To deactivate Clean Assist™ Roller System...

- Move chair to desired location.
- Reconnect power cord.
- Raise chair at least 2" to deactivate Clean Assist™ Roller System.

Note: An audible click will occur to confirm deactivation.

Note

Control levers will automatically reset to the Clean Assist™ Roller System disengagement position.

Maintenance

Calling for Service

Note

Model / serial number information is required when calling for service.

If service is required, contact your authorized Midmark dealer. To contact Midmark directly:
1.800.MIDMARK (1.800.643.6275)
8:00 am until 5:00 pm Monday - Friday (ET) [excluding standard US holidays]

Cleaning



WARNING

The upholstery should be inspected before each use and replaced if punctured or otherwise damaged.



Equipment Alert

The upholstery is resistant to most medicinal-type stains, but may be damaged by solvents and dyes. Immediately remove any fluids spilled on the upholstery.

Upholstery

Wash your upholstery weekly with a mild liquid soap and water mixture, rinse with clear water and dry completely to remove disinfection cleaner build-up.

Disinfect your upholstery with a solution of standard bleach and water mixed 1 in 10 (10%) or chlorine based cleaners. Follow this with a clear water rinse and thorough drying of material. See current CDC Guideline for Disinfection & Sterilization in Healthcare Facilities.

To minimize damage caused by disinfectant cleaner residue build-up, do not allow disinfectants to pool on the upholstery surface. Once the approved contact time has been obtained, remove and dry excess liquid remaining on the surface.

Detailed care and maintenance instructions are included with your product. This information is also available on www.midmark.com in the Technical library under the User Information tab for your product.

Painted Metal / Plastic Surfaces

Clean the painted metal and plastic surfaces weekly using a clean soft cloth, and mild cleaner.

Preventative Maintenance

Periodically inspect the following areas:

- Power cord(s) should be free of cuts or other visible damage.
- All fasteners should be in place and tightened securely.
- All mechanical functions should operate properly.

Periodically lubricate the back hinge to maintain quiet, smooth, operation (use light machine oil).

Have a qualified service technician inspect your equipment every twelve months.



WARNING

Should damage and or loose parts be identified, the examination chair should be removed from use and serviced. Failure to do so may result in injury.

Specifications

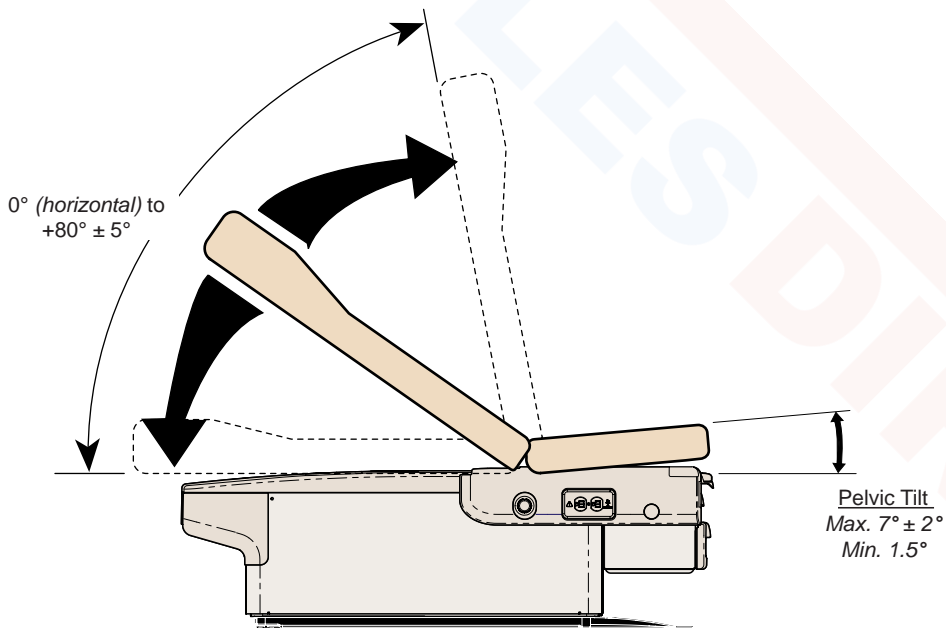
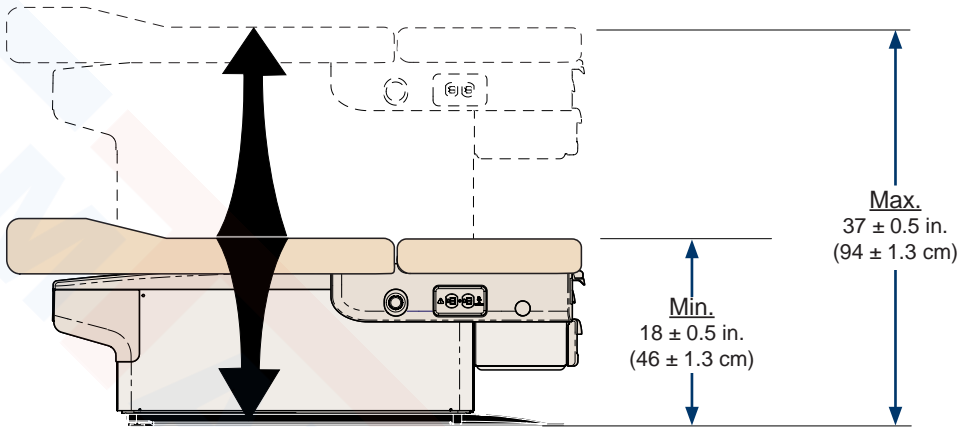
Specifications Chart	
Patient Weight (<i>maximum</i>)	500 lbs (227 kg)
Paper Roll (<i>maximum size</i>):	24 in. long x 3.5/8 in. diameter (61 cm x 9.2 cm)
Range of Motion & Dimensions:	[See Range of Motion & Dimensions pages]
Weight of Chair: w/upholstery w/packaging & skid (<i>no uph.</i>) Uph. w/packaging (<i>shipped separately</i>)	445 lbs (201.8 kg) 455 lbs (206.4 kg) 40 lbs (18.1 kg)
Power Cord Length:	8 ft. (244 cm) long
Electrical Requirements:	[See Model Identification / Compliance Chart]
Foot / Hand Control Voltage:	3.3 VDC, SELV (Safety Extra Low Voltage)
Duplex Receptacles Maximum Load: (<i>not available on all models</i>)	115 VAC, 4A, 50/60 Hz
Fuse Ratings: <i>IEC inlet fuses</i> F1 (<i>on Main PC board</i>) F2 (<i>on Main PC board</i>)	T8AH, 250V, 5 x 20 mm T6.3AH, 250V, 5 x 20 mm T250mAH, 250V, 5 x 20 mm
Duty Cycle (Motor Run Time):	Intermittent Operation [30 seconds ON / 5 minutes OFF]
Receptacles, Drawer Heaters:	Continuous Operation
Classifications:	Class I, Type B Applied Part, Intermittent Operation [30 seconds ON / 5 minutes OFF]
Certifications:	ES 60601-1:2012, CSA C22.2 No. 60601-1:14; (Safety Standards) IEC 60601-1-2:2014 (EMC Standards)
Protection against ingress of fluids:	IPX0 Chair IPX1 Foot Control

Model Identification / Compliance Chart

Model	Description	Complies To:					Electrical Ratings:		
		ANSI/AAMI ES60601-1	CAN/CSA-C22.2 No. 60601-1:14	IEC 60601-1-2	NFPA 99	CE	VAC +/-10%	Amps	Cycles (Hz)
224-001	Ritter® Basic Chair	•	•	•	•	•	115	9	50 / 60
224-002	Ritter® Basic Chair w/ Receptacles, Pelvic Tilt, & Drawer Heater	•	•	•	•		115	11.5	50 / 60
224-003	Ritter® Basic Chair w/ Receptacles, Recessed Rollers, Pelvic Tilt, & Drawer Heater	•	•	•	•	•	115	11.5	50 / 60
225-002	Ritter® Power Back Chair w/ Receptacles, Pelvic Tilt, & Drawer Heater	•	•	•	•		115	11.5	50 / 60
225-003	Ritter® Power Back Chair w/ Receptacles, Recessed Rollers, Pelvic Tilt, & Drawer Heater	•	•	•	•	•	115	11.5	50 / 60

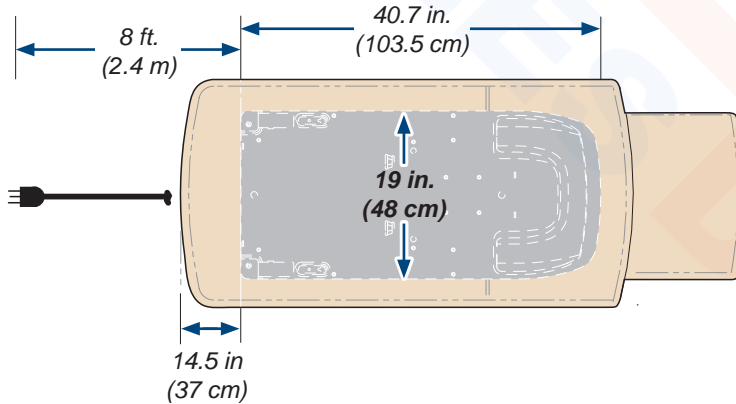
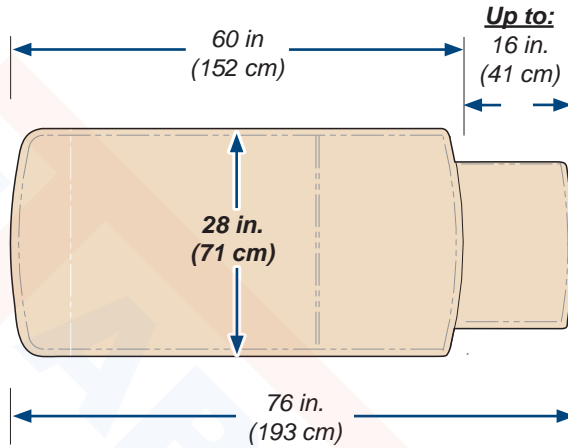
Fire Code Ratings: All upholstery complies with California Bureau of Home Furnishing [Technical Bulletin 117](#) and California Code of Regulations, Sect. 93120-93120.12, Title 17. Optional upholstery is available that complies with California Bureau of Home Furnishing [Technical Bulletin 133](#).

Range of Motion:



MA10035I

Dimensions:



MA10036i

Midmark® + Ritter® Medical Equipment (Tables, Chairs, Physician Seating, Lights, Workstations and Sterilizers) Limited Warranty

SCOPE OF WARRANTY Midmark Corporation ("Midmark") warrants to the original retail purchaser that it will, at Midmark's option, repair or replace components of the domestic and international medical products manufactured by Midmark (except for components not warranted under "Exclusions") that are defective in material or workmanship under normal use and service. The sole remedy under this limited warranty is the repair or replacement, at Midmark's option, of the applicable components. This limited warranty shall only apply to defects that are reported to Midmark within the applicable warranty period and which are determined to exist upon examination by Midmark. This warranty extends only to the original retail purchaser of a product and is not transferable or assignable. Replacement components or products may be used and/or refurbished components or products, provided they are of like quality and specifications as new components or products.

Midmark warrants to the original retail purchaser that during the applicable warranty period it will repair or replace software contained within the products manufactured by Midmark (except for those not warranted under "Exclusions") if: (1) the media on which the software is furnished exhibits defects in material or workmanship under normal use; or (2) the software does not substantially conform to its published specifications.

APPLICABLE WARRANTY PERIOD The applicable warranty period, measured from the date of invoice to the original retail purchaser of the product and shall be one (1) year for all warranted products and components. QuickClean® Ultrasonic Cleaners are warranted for a period of three (3) years.

OBTAINING WARRANTY SERVICE Warranty service must be obtained through either Midmark or an authorized dealer in the Midmark product line for which warranty service is requested. Midmark may be contacted for warranty service inquiries or issues via email at midmark.com; by phone at 1.800.MIDMARK or by mail to Midmark Corporation, 60 Vista Drive, Versailles, Ohio 45380. It is the retail purchaser's obligation to arrange for delivery of a product to Midmark or one of its authorized dealers for warranty service, which delivery shall be at retail purchaser's expense. It is also the retail purchaser's obligation to comply with the warranty service instructions provided either by Midmark or its authorized dealer. The retail purchaser must provide Midmark with completed warranty registration information within thirty (30) days after purchase in order to obtain the benefits of this limited warranty.

EXCLUSIONS: This limited warranty does not cover and Midmark shall not be liable for the following:

- (1) Defects, damage or other conditions caused, in whole or in part, by misuse, abuse, negligence, alteration, accident, freight damage, negligent storage, tampering or failure to seek and obtain repair or replacement in a timely manner;
- (2) Products which are not installed, used, and properly cleaned and maintained as required or recommended in the Midmark "Installation" and/or "Installation/Operation Manual" for the applicable product, including the specified structural and operational environmental conditions and electrical requirements;
- (3) Products considered to be of a consumable or sterile nature;
- (4) Accessories or parts not manufactured by Midmark;
- (5) Charges by anyone for adjustments, repairs, replacement parts, installation or other work performed upon or in connection with such products which are not expressly authorized in writing in advance by Midmark;
- (6) Costs and expenses of routine maintenance and cleaning; and
- (7) Representations and warranties made by any person or entity other than Midmark.
- (8) Matching of color, grain or texture except to commercially acceptable standards;
- (9) Changes in color caused by natural or artificial light;
- (10) Custom manufactured products;
- (11) Alterations or modifications to the product by any person or entity other than Midmark; and
- (12) Products that would otherwise be covered under this limited warranty, but are acquired: (i) from a person or entity that is not Midmark or one of its authorized dealers; or (ii) from a Midmark dealer that is not authorized to sell the product at issue in the geographic territory where the purchaser is located, or is not authorized to sell the product at issue within the medical market.

SOFTWARE; WITH RESPECT TO SOFTWARE THAT IS A PRODUCT OR COMPONENT THEREOF, MIDMARK DOES NOT WARRANT THAT THE SOFTWARE: (1) IS ERROR FREE; (2) CAN BE USED WITHOUT PROBLEMS OR INTERRUPTIONS; OR (3) IS FREE FROM VULNERABILITY TO INTRUSION OR ATTACK BY VIRUSES OR OTHER METHODS.

EXCLUSIVE REMEDY; CONSEQUENTIAL DAMAGES DISCLAIMER MIDMARK'S ONLY OBLIGATION UNDER THIS LIMITED WARRANTY IS THE REPAIR OR REPLACEMENT OF DEFECTIVE PARTS. MIDMARK SHALL NOT BE LIABLE FOR AND HEREBY DISCLAIMS ANY DIRECT, SPECIAL, INDIRECT, INCIDENTAL, EXEMPLARY OR CONSEQUENTIAL DAMAGES OR DELAYS, INCLUDING, BUT NOT LIMITED TO, DAMAGES FOR LOSS OF PROFITS OR INCOME, LOSS OF USE, LOSS OF DATA, DOWNTIME, COVER AND EMPLOYEE OR INDEPENDENT CONTRACTOR WAGES, PAYMENTS AND BENEFITS. THIS DISCLAIMER SHALL SURVIVE ANY FAILURE OR ASSERTED FAILURE OF THE ESSENTIAL PURPOSE OF THIS LIMITED WARRANTY OR ITS REMEDIES SPECIFIED HEREIN. **WARRANTY DISCLAIMER** THIS WARRANTY IS MIDMARK'S ONLY WARRANTY AND IS IN LIEU OF ALL OTHER WARRANTIES, EXPRESS OR IMPLIED. MIDMARK MAKES NO IMPLIED WARRANTIES OF ANY KIND INCLUDING ANY IMPLIED WARRANTIES OF MERCHANTABILITY OR FITNESS FOR A PARTICULAR PURPOSE. THIS WARRANTY IS LIMITED TO THE REPAIR OR REPLACEMENT OF DEFECTIVE PARTS.

STATUTE OF LIMITATIONS No action may be brought against Midmark for breach of this limited warranty, an implied warranty, if any, or for any other claim arising out of or relating to the products, more than ninety (90) days following expiration of the limited warranty period.

NO AUTHORIZATION No person or firm is authorized to create or approve for Midmark any other obligation or liability in connection with the products.

Midmark Corporation

60 Vista Drive
Versailles, OH 45380 USA
1.800.643.6275
+1.937.526.3662
www.midmark.com



TP202 20-42-FO-00014 Rev A1 C2169

Shop tables & accessories at

Ritter®

Sillón de exploración Barrier-Free®

[English](#)

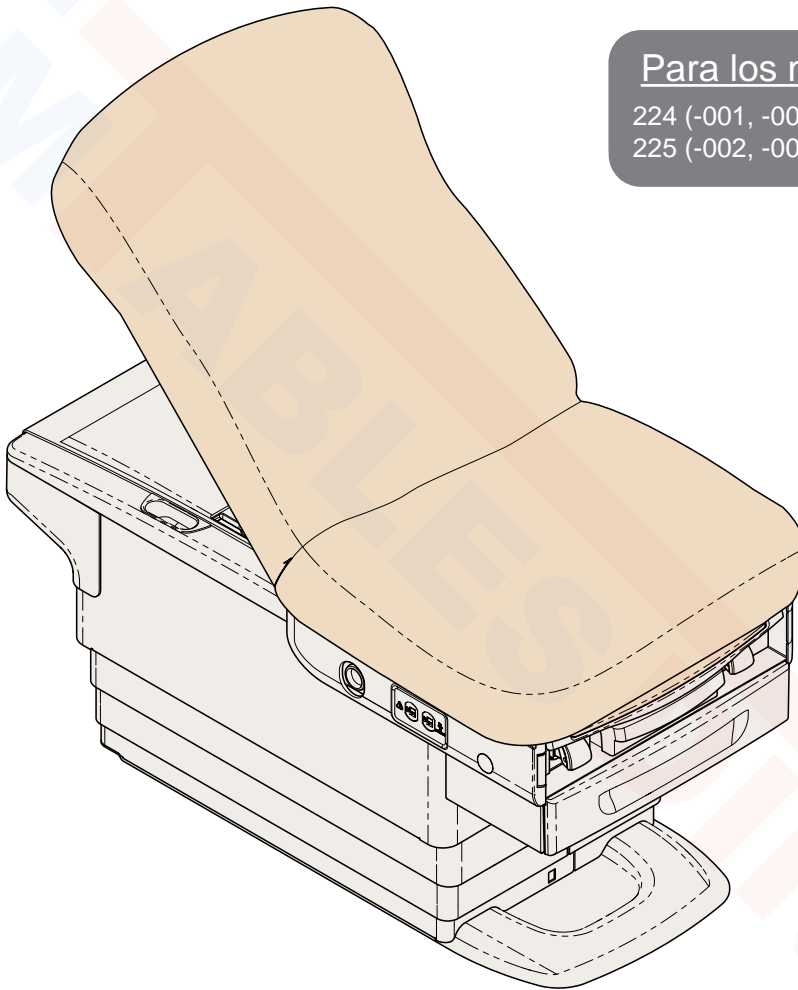
[Español](#)

[Français](#)

Para los modelos:

224 (-001, -002, -003)

225 (-002, -003)



MA10327i

Guía del usuario

TP202 20-42-FO-00014 Rev A2 C2169

Style P

Shop tables & accessories at

Información del producto

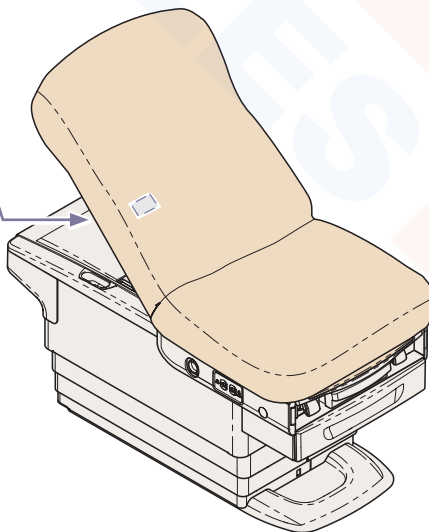
Distribuidor:

Fecha de compra:

Modelo/número de serie:

**Servicio técnico autorizado
por Midmark:**

**Etiqueta de modelo / número de serie situada
en el armazón de soporte del respaldo**
(la ubicación exacta puede variar)



MA100311

Índice

Información importante

<i>Símbolos de seguridad</i>	4
<i>Registro del producto</i>	5
<i>Condiciones de transporte/almacenamiento</i>	5
<i>Condiciones de funcionamiento</i>	5
<i>Cómo deshacerse del equipo</i>	5
<i>Representantes autorizados</i>	6
<i>Uso previsto</i>	7
<i>Requisitos eléctricos</i>	7
<i>Interferencia electromagnética</i>	7
<i>Instrucciones de seguridad</i>	9

Funcionamiento

<i>Active Sensing Technology™</i>	11
<i>Función de subida/bajada de la base</i>	12
<i>Función de subida/bajada del respaldo</i>	13
<i>Rollo de papel y cintas</i>	15
<i>Estribos</i>	16
<i>Bandeja de tratamiento y reposapiés</i>	17
<i>Cajón con calentador</i>	18
<i>Inclinación pélvica</i>	19
<i>Tomacorrientes dobles</i>	20
<i>Sistema de ruedas Clean Assist™</i>	21

Mantenimiento

<i>Contactar con el servicio técnico</i>	22
<i>Limpieza</i>	22
<i>Mantenimiento preventivo</i>	22

Especificaciones

<i>Tabla de especificaciones</i>	23
<i>Identificación del modelo/Tabla de cumplimiento de las normativas</i>	24
<i>Límite de movimiento</i>	25
<i>Dimensiones</i>	26

Información sobre la garantía

<i>Garantía limitada</i>	27
--------------------------------	----

Información importante - símbolos de seguridad



ADVERTENCIA

Indica una situación potencialmente peligrosa que podría ocasionar lesiones graves.



Precaución

Indica una situación potencialmente peligrosa que puede ocasionar lesiones leves o moderadas. También puede usarse para alertar contra prácticas peligrosas.



Advertencia sobre el equipo

Indica una situación que podría provocar daños en el equipo.

Nota

Desarrolla un procedimiento, una práctica o una condición.

Glosario de símbolos



Ciclo de utilización (tiempo de funcionamiento del motor)
30 segundos ON (encendido),
5 minutos OFF (apagado)



Orientación correcta para el transporte



Frágil



Tipo B, pieza aplicada (tapicería)



Toma de tierra protectora



Límite de peso del paciente



Fabricante



Instrucciones de funcionamiento



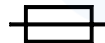
Número de serie



Mantener seco



Altura máxima de apilamiento
(**unidades** almacenadas)



Especificación nominal del fusible



Voltaje peligroso / peligro de descarga eléctrica



Consultar el manual



Número del catálogo

Registro del producto

Para registrar su producto, visite www.midmark.com.

Condiciones de transporte/almacenamiento

Rango de temperatura ambiente:.....de -30 °C a +60 °C (de -22 °F a +140 °F)

Humedad relativade 10 % a 90 % (sin condensación)

Condiciones de funcionamiento

Rango de temperatura ambiente:.....de +10 °C a +40 °C (de +50 °F a +104 °F)

Humedad relativade 30 % a 75 % (sin condensación)

Altitud.....3 000 m o menos

Cómo deshacerse del equipo

Al final del ciclo de vida del producto, tanto el sillón como sus accesorios y otros consumibles podrían estar contaminados por efecto de su uso habitual. Consulte las normativas y códigos locales para la correcta eliminación de equipos, accesorios y otros productos fungibles.

Representantes autorizados



ADVERTENCIA

En caso de incidentes graves relacionados con el dispositivo, contacte con Midmark y con las autoridades competentes apropiadas.

Los clientes de la Colombia deben dirigir todas sus preguntas, incidencias y quejas al representante autorizado de Midmark que se indica a continuación.

Técnica Electromédica S.A.

Calle 47 # 5-26

Bogota Colombia c.p. 110111

Tel. (+ 57 1) 756 87 87

atencionalcliente@tecnicaelectromedica.com

Los clientes de la Costa Rica deben dirigir todas sus preguntas, incidencias y quejas al representante autorizado de Midmark que se indica a continuación.

Corporacion Almotec SA

225 metros al sur de oficina de correos

San Jose, Zapote, Costa Rica

Tel: 506 7112 9782

Los clientes de la Panamá deben dirigir todas sus preguntas, incidencias y quejas al representante autorizado de Midmark que se indica a continuación.

TECNIDENTAL PANAMA S.A.

VILLA MAGNA, VILLA ZAITA

OFFICE B8

PANAMA

Tel/Fax: 343-4049/ 6614-8029

tecnidentalpanama@gmail.com

Los clientes de la México deben dirigir todas sus preguntas, incidencias y quejas al representante autorizado de Midmark que se indica a continuación.

Sofía Zavala | Asuntos Regulatorios

Carlos Nafarrate SA de CV

Avenida Las Américas 601,

Ladrón de Guevara, 44600,

Guadalajara, Jalisco, México | Tel (33) 3669 9800

Uso previsto

El sillón de exploración, que puede utilizarse como sillón/camilla, está diseñada para proporcionar apoyo a los pacientes y para mantener su posición durante procedimientos de exploración generales a cargo de profesionales médicos.

Requisitos eléctricos

Antes de conectar el cable de alimentación del dispositivo Midmark a una fuente de alimentación eléctrica, se recomienda contactar con un electricista local autorizado o una autoridad local que tenga jurisdicción sobre la distribución de energía interna del edificio para verificar que, al conectar el dispositivo, este cumple con todos los códigos eléctricos locales. Utilice la potencia eléctrica marcada en el dispositivo para determinar cuáles son los circuitos eléctricos derivados apropiados y los requisitos de salida. Para modelos de 115 V con una calificación de corriente de 12 amperios o más, puede requerirse un circuito dedicado en caso de que la protección de dicho circuito provenga de un disyuntor de 15 amperios.



Precaución

Para aislar completamente el sillón de la red eléctrica principal, el cable de alimentación debe estar desenchufado.



Precaución

Antes de utilizar los dispositivos quirúrgicos de alta frecuencia o los catéteres endocárdicos, consulte las instrucciones de funcionamiento de dichos dispositivos. De lo contrario, el paciente puede sufrir una descarga eléctrica o una quemadura.

Interferencia electromagnética

Este producto se ha diseñado y construido para reducir al mínimo la interferencia electromagnética con otros dispositivos. Sin embargo, si detecta interferencias entre este producto y otros dispositivos:

- Retire el dispositivo que cause interferencias de la sala
- Enchufe el sillón en un circuito aislado
- Aumente la separación entre el sillón y el dispositivo que cause las interferencias
- Póngase en contacto con Midmark si las interferencias persisten



Advertencia sobre el equipo

Los equipos portátiles de comunicación por radiofrecuencia (entre ellos los periféricos como los cables de antena y las antenas externas) deben utilizarse a una distancia superior a los 30 cm (12 pulgadas) con respecto a cualquier parte del sillón de exploración, incluyendo los cables especificados por el fabricante. De lo contrario, el rendimiento de este equipo podría empeorar.

CEM – directrices y declaración del fabricante

Nota

Las emisiones características de este equipo hacen que sea adecuado para zonas industriales y hospitales. El sillón de exploración no es apropiado para utilizarse en un entorno residencial.

Ensayo de inmunidad	Nivel del ensayo de inmunidad
Descarga electrostática	± 8 kV contacto, ±15 kV aire
Campos radiofrecuencia electromagnética radiados	3 V/m 80 MHz-2,7 GHz 80 % AM a 1 kHz
Frecuencia de alimentación nominal campos magnéticos	30 A/m
Transitorios eléctricos rápidos	Frecuencia de repetición ±2 kV a 100 kHz
Sobretensión	Línea a línea: ±1 kV Línea a tierra: ±2 kV
Radiofrecuencia conducida	3 V: 0,15 MHz-80 MHz 6 V en bandas ISM entre 0,15 MHz-80 MHz 80 % AM a 1 kHz
Bajadas de tensión	0 % UT; 0,5 ciclo A 0°, 45°, 90°, 135°, 180°, 225°, 270° y 315° 0 % UT; 1 ciclo y 70 % UT; 25/30 ciclos Monofásico: a 0°
Cortes de tensión	0 % UT; 250/300 ciclo

Ensayo de radiación	Nivel del ensayo de radiación
Emisiones de radiofrecuencia conducidas o radiadas	CISPR 11 Grupo 1 Clase A

Instrucciones de seguridad



ADVERTENCIA

No se permite la modificación de este equipo.



ADVERTENCIA

Al conectar el equipo a una toma con enchufes múltiples se crea efectivamente un sistema médico eléctrico que puede tener como consecuencia una reducción del nivel de seguridad.



ADVERTENCIA

Para evitar el peligro de incendio o el riesgo de descarga eléctrica, este equipo debe conectarse únicamente a enchufes provistos de toma a tierra de protección.



ADVERTENCIA

Antes de cada uso, asegúrese de que el entorno esté libre de obstáculos. De lo contrario, podría producirse un funcionamiento inadecuado, así como lesiones graves.



ADVERTENCIA

El uso de accesorios, transductores y cables que no sean los especificados o suministrados por el fabricante de este equipo podría aumentar las emisiones electromagnéticas o reducir la inmunidad electromagnética de este equipo y dar lugar a un funcionamiento inadecuado.



ADVERTENCIA

Este producto puede exponerlo al contacto con sustancias químicas como el óxido de antimonio (trioxido de antimonio), al cual el estado de California considera cancerígeno. Para más información, visite www.p65warnings.ca.gov



ADVERTENCIA

El equipo no se puede utilizar en presencia de mezclas anestésicas inflamables.

Aclaración: El equipo puede utilizarse en presencia de oxígeno, aire u óxido nitroso.

Instrucciones de seguridad (continuación)



ADVERTENCIA

Asegúrese de que no haya personas ni instrumental cerca del sillón antes de activar cualquier función. Deje un espacio libre de mínimo 6 in (15,25 cm) alrededor de la silla. Si no lo hace puede provocar lesiones personales.

En la altura más baja del sillón [46 cm (18 in)], el espacio entre la parte inferior del cajón y el suelo es de aproximadamente 12,7 cm (5 in). Asegúrese de que el paciente (*especialmente sus pies*) y cualquier otro objeto se encuentren fuera de esta área antes de bajar el sillón.

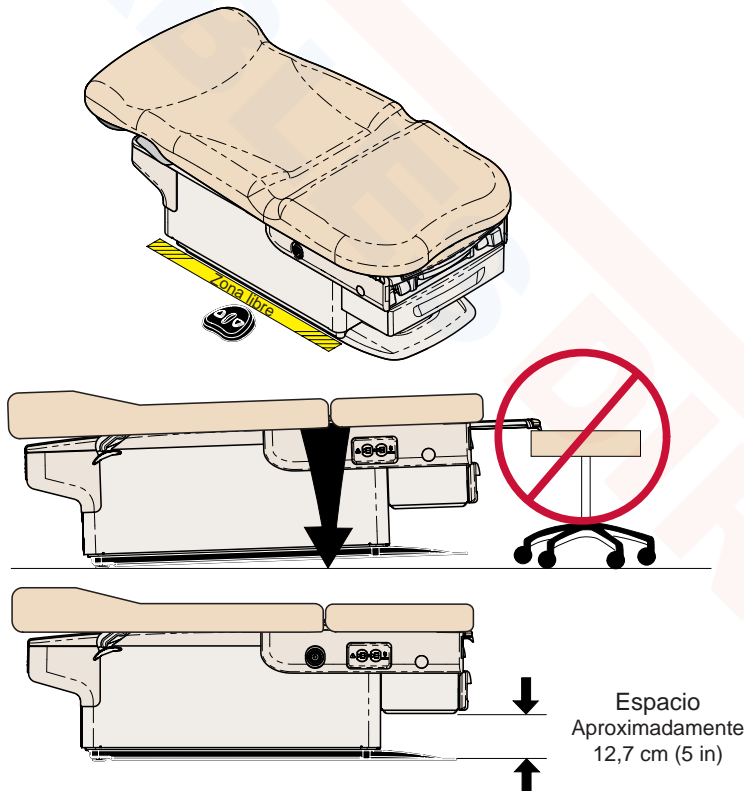


Advertencia sobre el equipo

El sillón, en uso normal, se debe ubicar de tal forma que se pueda acceder con facilidad a los cables de alimentación para desenchufarlos.

Si el sillón funciona incorrectamente, suelte de inmediato el mando de control, desconecte el cable de alimentación y ayude al paciente a bajar del sillón. Si el sillón continúa funcionando incorrectamente, llame al servicio técnico.

De no seguir estas instrucciones se pueden provocar lesiones al paciente o daños al equipo.



Funcionamiento

Active Sensing Technology™



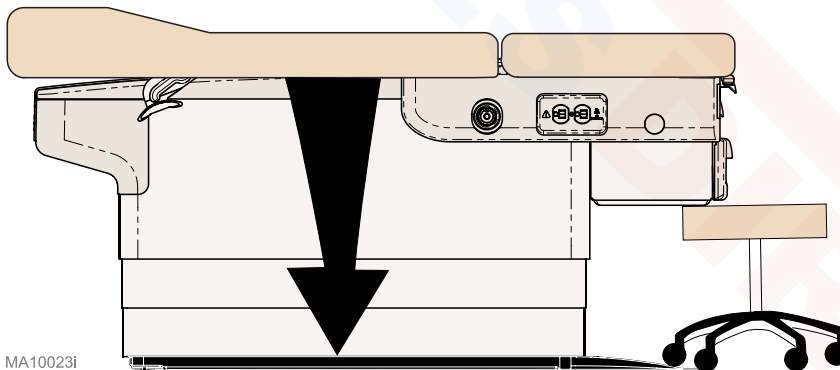
ADVERTENCIA

Asegúrese de que no haya personas ni instrumental cerca del sillón antes de activar cualquier función. Si no lo hace puede provocar lesiones personales.

La Active Sensing Technology™ evita que el sillón se mueva hacia abajo si la parte inferior del cajón entra en contacto con otro objeto. Si la Active Sensing Technology™ está activada, sonarán una serie de pitidos, la función Bajar base se desactivará y el sillón se moverá en la dirección Subir base. Para reanudar el funcionamiento Bajar base, retire el objeto que se encuentra bajo el cajón y pulse los botones Subir/bajar base del mando de control.

Nota

La Active Sensing Technology™ no está disponible en los modelos que no tienen cajón.



MA10023i

Funcionamiento

Función de subida/bajada de la base

¡Atención!

La Active Sensing Technology™ detendrá la función de bajada de la base y la replegará hacia arriba si la parte inferior del cajón entra en contacto con otro objeto.

(Si la Active Sensing Technology™ está activada, escuchará una serie de pitidos.)

Para reanudar el funcionamiento de bajada de la base:

Retire el objeto que se encuentra debajo del cajón.

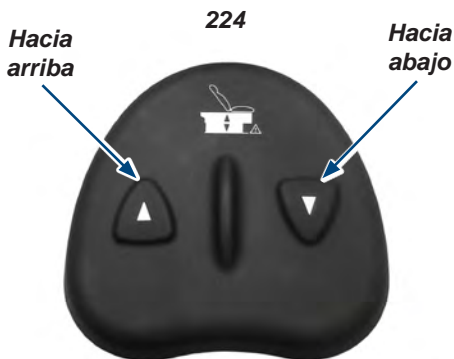
Pulse el botón de Bajar base.

Nota

El sillón se detiene automáticamente al llegar a la altura máxima y la mínima.

Para subir o bajar el sillón...

Mantenga presionado el botón adecuado.



ArtHall

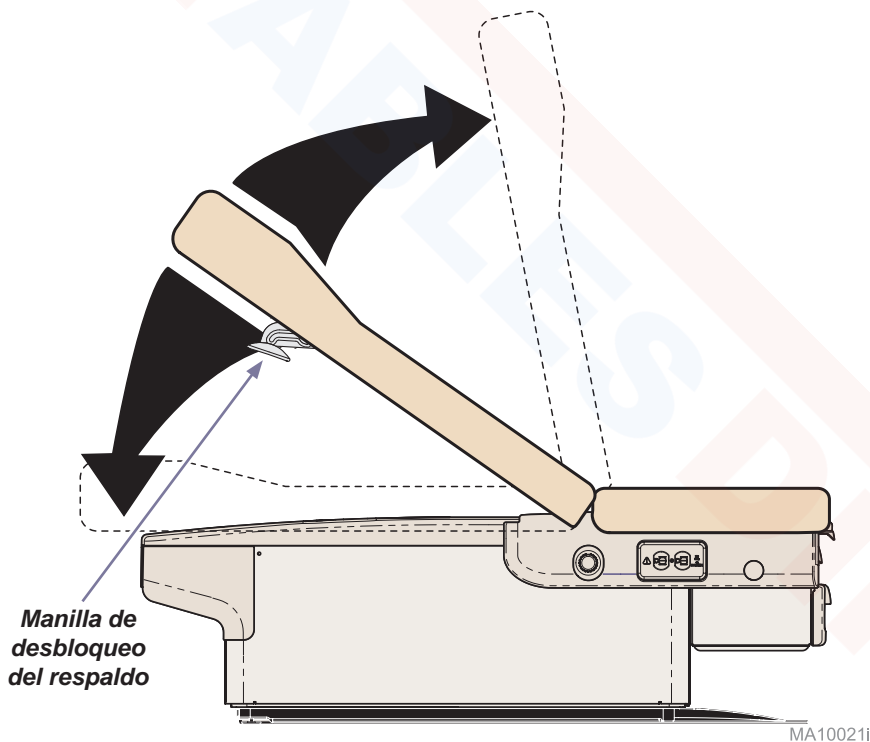


Funcionamiento - continuación

Función de subida/bajada del respaldo - 224

Para colocar la sección del respaldo...

- A) Mientras sostiene la sección del respaldo en su sitio, apriete la manilla de desbloqueo del respaldo (a cualquier lado).
- B) Mueva la sección del respaldo.
- C) Suelte la manilla para fijar la sección del respaldo en su sitio.



Funcionamiento - continuación

Función de subida/bajada del respaldo - 225

Nota

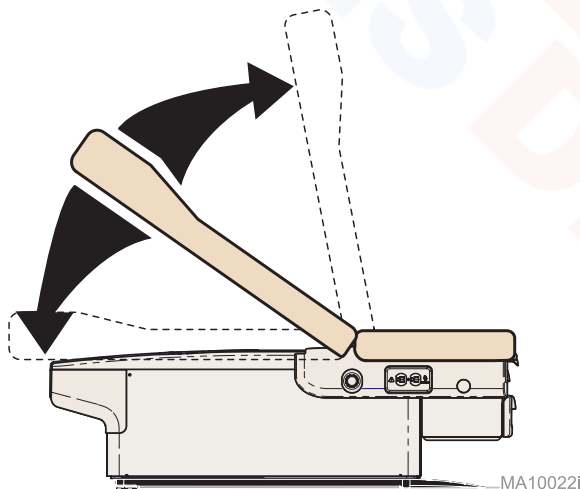
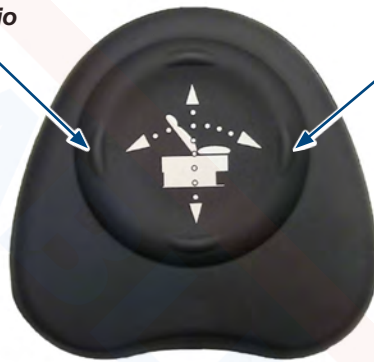
La sección del respaldo se detiene automáticamente en el límite superior e inferior de su desplazamiento.

Para colocar la sección del respaldo...

Mantenga presionado el botón adecuado.

Hacia abajo

Hacia arriba

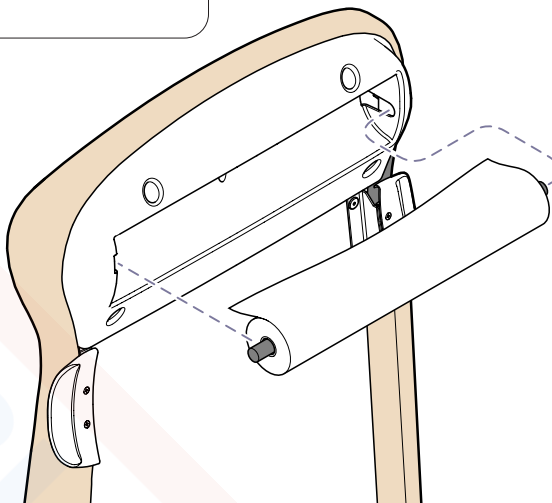


Rollo de papel y cintas

Tamaño del rollo de papel (máximo): 61 cm de ancho x 9,2 cm de diámetro
(24 in x 3.5/8 in)

Nota

Bajo la sección del respaldo se puede almacenar un rollo de papel adicional.

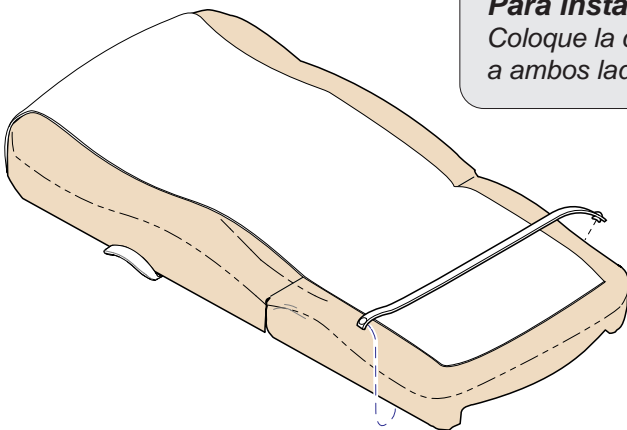


ADVERTENCIA

Para evitar lesiones, no ponga la cabeza ni las extremidades debajo de la cinta de papel.

Para instalar la cinta...

Coloque la cinta de modo que se enganche a ambos lados del sillón.



Estribos

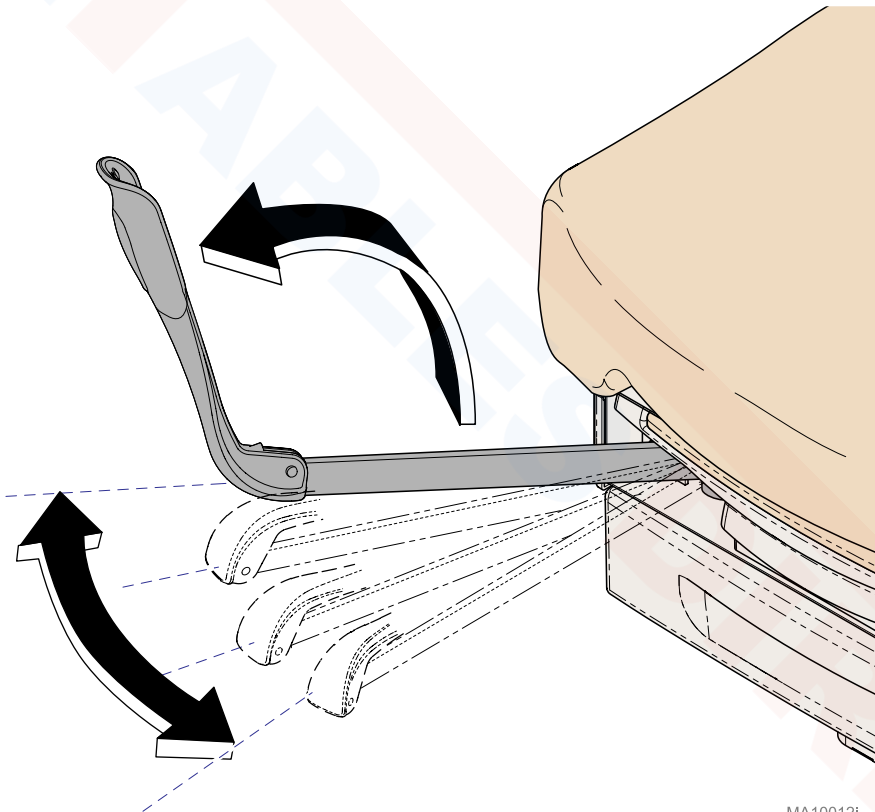


Precaución

Asegúrese de los estribos estén bloqueados en su posición antes de usar el sillón. Los estribos no están diseñados para soportar todo el peso del paciente.

Para colocar los estribos...

- A) Saque el estribo y despléguelo.
- B) Eleve ligeramente el estribo y muévalo hacia la izquierda o la derecha, como lo desee.
- C) Libere el estribo y fíjelo en la posición deseada.



MA10012i

Bandeja de tratamiento y reposapiés (no disponible en todos los modelos)

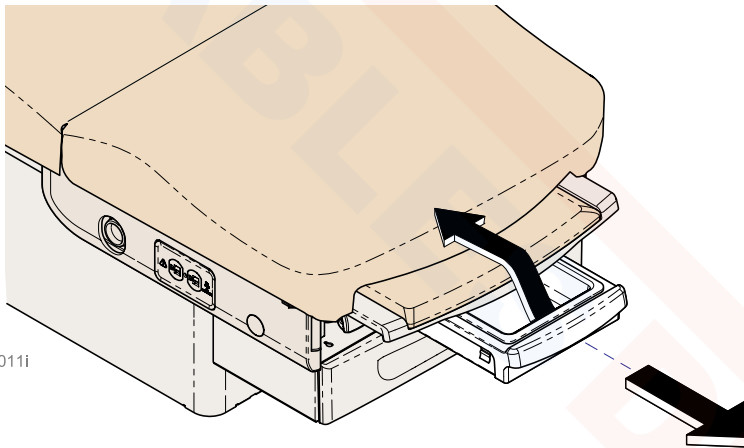


ADVERTENCIA

No use el reposapiés para apoyar todo el peso del paciente.

Para extender el reposapiés...

Tire del reposapiés hacia fuera hasta la posición deseada.



MA10011i

Para acceder a la bandeja de tratamiento...

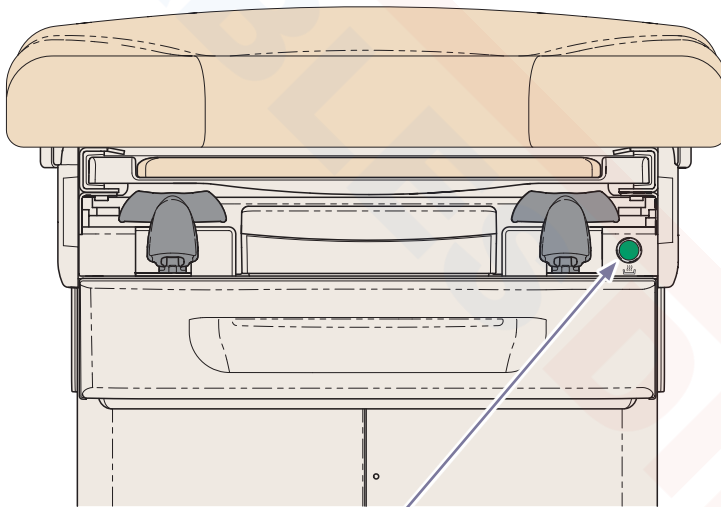
Tire de la bandeja de tratamiento hacia fuera hasta la posición deseada.

Cajón con calentador (no disponible en todos los modelos)

El calentador del cajón calienta de 33°C (92°F) a 44°C (112°F) medidos en el centro del cajón a temperatura ambiente y tensión de entrada nominal.

Para encender y apagar el calentador de cajón...
Pulse y suelte el interruptor del calentador de cajón.

Nota: el interruptor se iluminará cuando el calentador esté encendido.



***Interruptor del
calentador de cajón***

MA10015I

Inclinación pélvica (no disponible en todos los modelos)

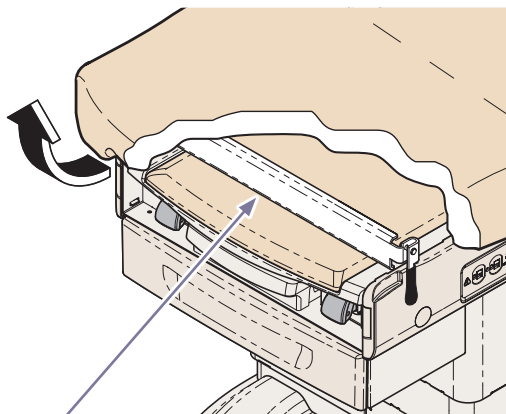


ADVERTENCIA

Para evitar cualquier posible lesión, no coloque sus extremidades debajo del asiento.

Para elevar la sección del asiento...

Eleve el asiento hasta que el soporte pélvico esté en su sitio.

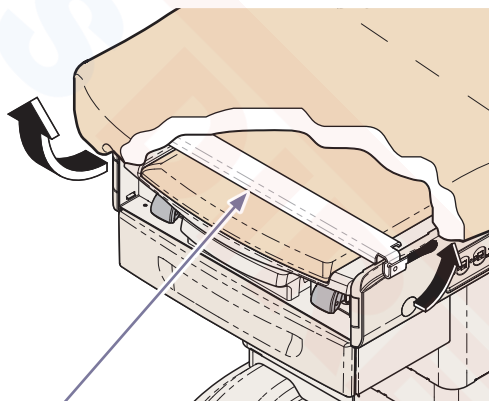


Soporte pélvico

MA10017i

Para volver a colocar la sección del asiento en posición horizontal...

- A) Levante ligeramente la sección del asiento.*
- B) Gire la manija del soporte pélvico hacia arriba.*
- C) Baje la sección del asiento lentamente.*



Soporte pélvico

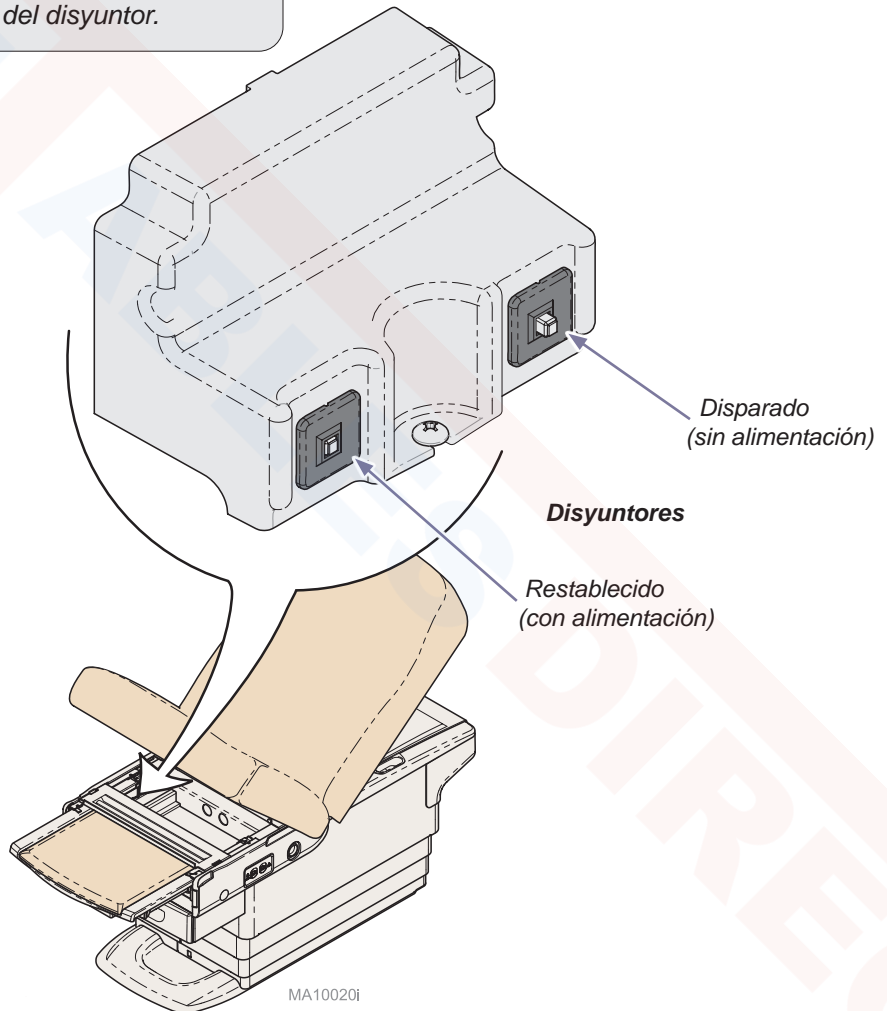
MA10018i

Tomacorrientes dobles (no disponible en todos los modelos)

Los tomacorrientes dobles de ambos laterales del sillón proporcionan alimentación a los accesorios que se utilizan durante procedimientos médicos. Hay dos disyuntores situados debajo de la sección del asiento. Si se supera la carga máxima de los tomacorrientes, los disyuntores interrumpirán la alimentación.

Carga máxima.....115 V CA, 4 amperios

Para volver a activar el disyuntor...
Pulse el interruptor del disyuntor.



Sistema de ruedas Clean Assist™ (no disponible en todos los modelos)

Las palancas de control, situadas debajo de la sección del respaldo a ambos lados, sirven para activar y desactivar el **Sistema de ruedas Clean Assist™**. Las ruedas están ubicadas en las esquinas del sillón para facilitar el posicionamiento del mismo.



Precaución

Para evitar lesiones, no active/desactive nunca el Sistema de ruedas Clean Assist™ ni mueva el sillón con el paciente subido. Mueva el sillón con precaución.



Advertencia sobre el equipo

Asegúrese de activar las dos palancas de control.



ADVERTENCIA

Para evitar el riesgo de caídas, el Sistema de ruedas Clean Assist™ debe estar desactivado cuando un paciente se suba o se baje del sillón.

Para activar el Sistema de ruedas Clean Assist™...

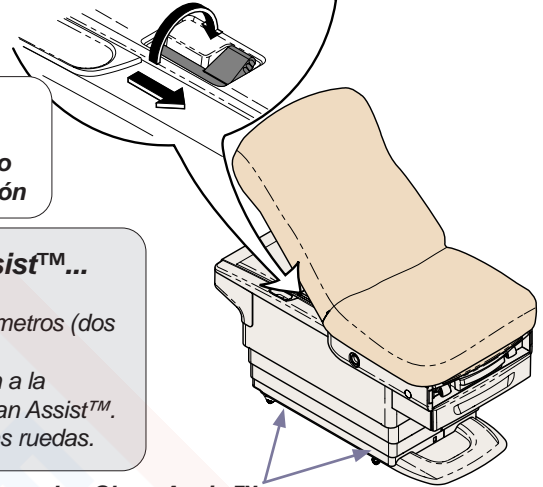
- Suba la sección del respaldo de 30 a 45 grados.
- Asegúrese de que el sillón esté al menos cinco centímetros (dos pulgadas) por encima de su posición más baja.
- Mueva las palancas de control de cada lado del sillón a la posición de acoplamiento del Sistema de ruedas Clean Assist™.
- Mueva el sillón a su posición más baja para activar las ruedas.



Advertencia sobre el equipo

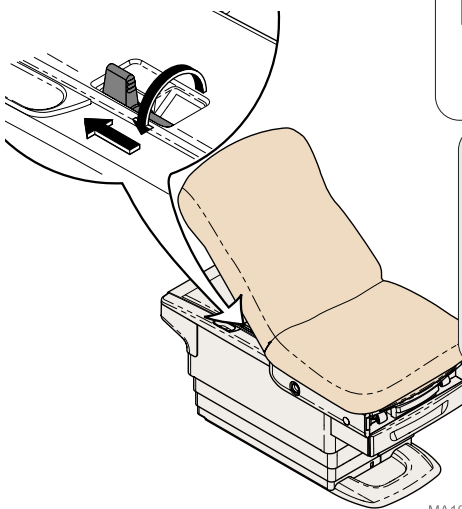
El uso previsto del Sistema de ruedas Clean Assist™ es el posicionamiento del sillón solamente dentro de la sala de exploración.

Posición de acoplamiento del Sistema de ruedas Clean Assist™



MA10033i

Posición de desacoplamiento del Sistema de ruedas Clean Assist™



MA10029i



Advertencia sobre el equipo

Una vez que se haya activado el Sistema de ruedas Clean Assist™, desconecte el cable de alimentación y el pedal de control y guárdelos lejos del sillón para evitar que los cables sufran daños.

Para desactivar el Sistema de ruedas Clean Assist™...

- Mueva el sillón hasta el lugar deseado.
- Vuelva a conectar el cable de alimentación.
- Eleve el sillón al menos 5 cm (2") para desactivar el Sistema de ruedas Clean Assist™.

Nota: se escuchará un clic para confirmar la desactivación.

Nota

Las palancas de control volverán automáticamente a la posición de desacoplamiento del Sistema de ruedas Clean Assist™.

Mantenimiento

Contactar con el servicio técnico

Nota

Cuando llame para solicitar asistencia técnica deberá indicar el modelo y el número de serie.

Póngase en contacto con su distribuidor autorizado de Midmark si necesita asistencia técnica. Para ponerse en contacto directamente con Midmark:

+1.937.526.3662

desde las 8:00 horas hasta las 17:00 de lunes a viernes (ET)

[excepto en días festivos regulares de los Estados Unidos]

Limpieza



ADVERTENCIA

La tapicería debería revisarse antes de cada uso y sustituirse si se encuentra perforada o presenta algún otro daño.

Tapicería



Advertencia sobre el equipo

La tapicería es resistente a la mayoría de las manchas que pueden producirse con el uso médico, pero puede dañarse si se derraman tintes o disolventes sobre ella. Debe secar inmediatamente los líquidos que se derramen sobre la tapicería.

Lave la tapicería todas las semanas utilizando una mezcla con un jabón líquido suave y agua, enjuague con agua limpia y seque toda la superficie para eliminar la acumulación de residuos de desinfectante/limpiador. Desinfecte la tapicería utilizando una solución de lejía común y agua 1:10 (10 %) o productos basados en cloro. A continuación, enjuague con agua limpia y seque a fondo el material. Véanse las Directrices vigentes de los Centros para el Control y la Prevención de Enfermedades para la desinfección y esterilización en centros sanitarios. Para minimizar la acumulación de residuos de desinfectante/limpiador, no deje que los desinfectantes se acumulen en la superficie de la tapicería. Una vez transcurrido el tiempo de contacto aprobado, retire y seque el exceso de líquido que quede en la superficie.

Con el producto se incluyen instrucciones detalladas de conservación y mantenimiento. Esta información también está disponible en www.midmark.com en la biblioteca técnica situada en el apartado «Información del usuario» de su producto.

Superficies de metal o plástico pintadas

Limpie semanalmente las superficies de metal o plástico pintadas pasando un paño suave y limpio con limpiadores suaves.

Mantenimiento preventivo

Revisión periódica de las siguientes áreas:

- El cable de alimentación no debe presentar cortes ni otros daños visibles.
- Todos los elementos de sujeción deben estar colocados y bien apretados.
- Todas las funciones mecánicas deben funcionar correctamente.

Lubrique periódicamente la bisagra del respaldo para mantener un funcionamiento continuo y silencioso (utilice aceite ligero para máquinas.)

Pida cada 12 meses a un técnico de servicio cualificado que revise su equipo.



ADVERTENCIA

Si se identifican daños o piezas sueltas, debería retirarse de uso el sillón de exploración y procederse con su mantenimiento. Si no se hace esto, pueden sufrirse lesiones personales.

Especificaciones

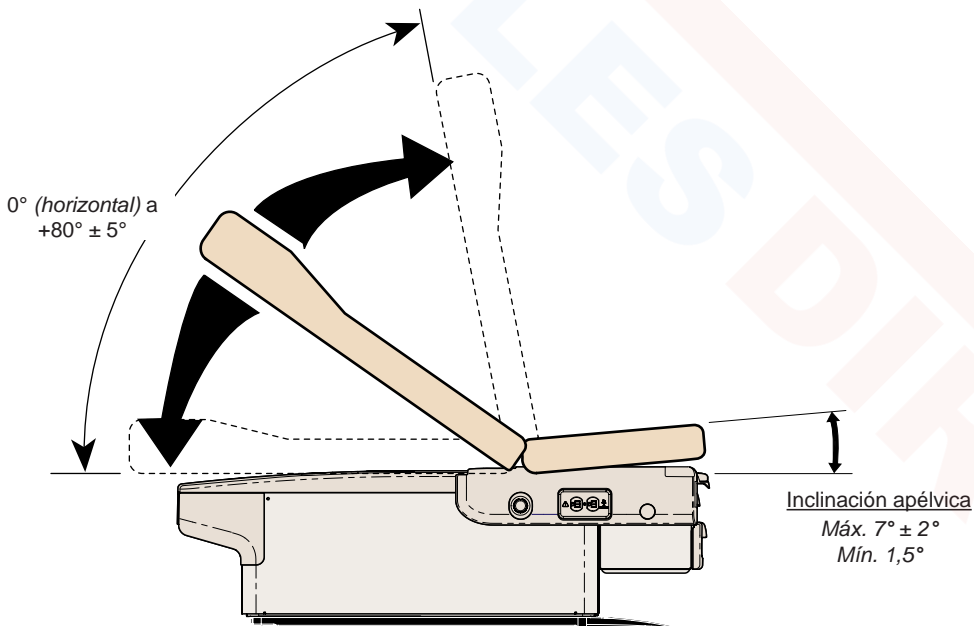
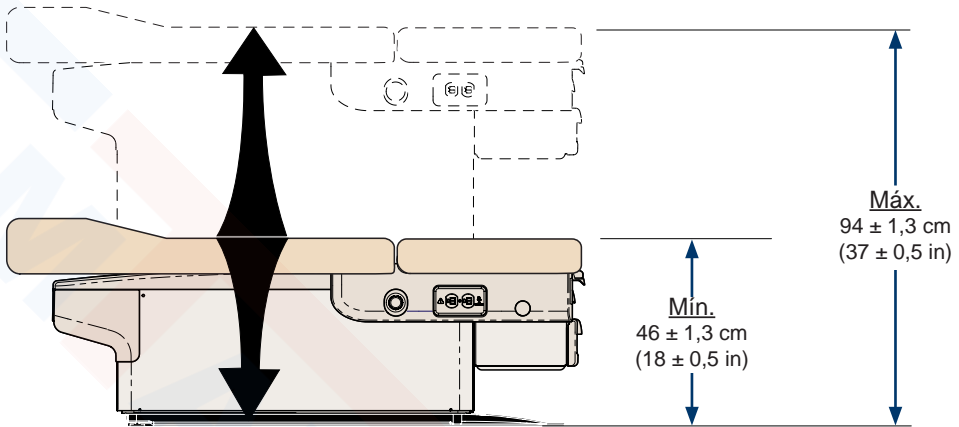
Tabla de especificaciones	
Peso del paciente (máximo)	227 kg (500 libras)
Rollo del papel (tamaño máximo):	61 cm de largo x 9,2 cm de diámetro (24 in x 3,5/8 in)
Límites de movimiento y dimensiones:	[Consulte las páginas de Límites de movimiento y dimensiones]
Peso del sillón: con tapicería con embalaje y plataforma (sin tap.) Tap. con embalaje (enviado por separado)	201,8 kg (445 lbs) 206,4 kg (455 lbs) 18,1 kg (40 lbs)
Longitud del cable de alimentación:	244 cm de largo (8 ft)
Requisitos eléctricos:	[Consulte Identificación del modelo / Tabla de cumplimiento de las normativas]
Voltaje del pedal/palanca de control:	3,3 V CC, voltaje de seguridad extra bajo (SELV)
Carga máxima de tomacorrientes dobles: (no disponible en todos los modelos)	115 V CA, 4A, 50/60 Hz
Clasificación de fusibles: <i>Fusibles de entrada IEC F1 (en la placa principal de circuito impreso) y F2 (en la placa principal de circuito impreso)</i>	T8AH, 250 V, 5 x 20 mm T6.3AH, 250 V, 5 x 20 mm T250mAH, 250 V, 5 x 20 mm
Ciclo de trabajo (tiempo de funcionamiento del motor):	Funcionamiento intermitente [30 segundos ENCENDIDO, 5 minutos APAGADO]
Tomacorrientes, calentadores de cajón:	Funcionamiento continuo
Clasificaciones:	Clase I, pieza aplicada de tipo B, funcionamiento intermitente [30 segundos ENCENDIDO / 5 minutos APAGADO]
Certificaciones:	ES 60601-1:2012, CSA C22.2 No. 60601-1:14; (Normas de seguridad) IEC 60601-1-2:2014 (Normas de CEM)
Protección contra la entrada de líquidos:	IPX0 Sillón IPX1 Pedal de control

Identificación del modelo/Tabla de cumplimiento de las normativas

Modelo	Descripción	Conformidad con:					Clasificaciones eléctricas:		
		ANSI/AAMI ES60601-1	CAN/CSA-C22.2 N.º 60601-1:14	IEC 60601-1-2	NFPA 99	CE	VAC +/-10 %	Amperios	Ciclos (Hz)
224-001	Sillón básico Ritter®	•	•	•	•		115	9	50/60
224-002	Sillón básico Ritter® con tomacorrientes, inclinación pélvica y calentador de cajón	•	•	•	•		115	11,5	50/60
224-003	Sillón básico Ritter® con tomacorrientes, ruedas de retención, inclinación pélvica y calentador de cajón	•	•	•	•		115	11,5	50/60
225-002	Sillón eléctrico con respaldo Ritter® con tomacorrientes, inclinación pélvica y calentador de cajón	•	•	•	•		115	11,5	50/60
225-003	Sillón eléctrico con respaldo Ritter® con tomacorrientes, ruedas de retención, inclinación pélvica y calentador de cajón	•	•	•	•		115	11,5	50/60

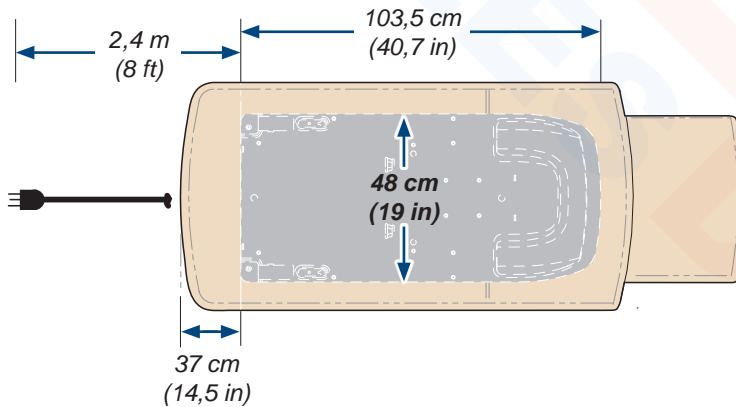
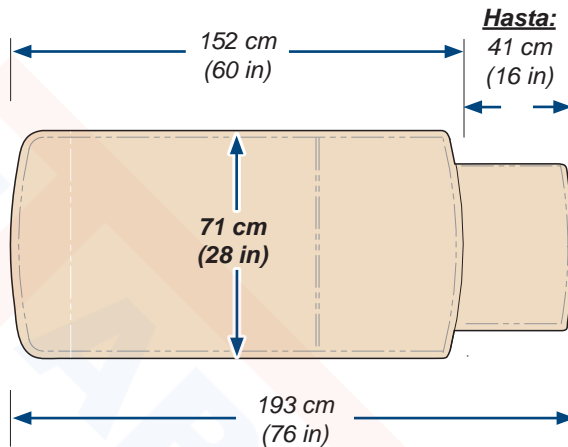
Clasificación de códigos de incendios: Toda la tapicería cumple con el Boletín Técnico 117 de la Oficina de California para Mobiliario del Hogar y con el Código de Regulares de California, Sección 93120-93120.12, Título 17. Hay tapizados opcionales disponibles que cumplen con el Boletín técnico 133 del Bureau of Home Furnishing de California (Oficina de Mobiliario Doméstico).

Límite de movimiento:



MA10035I

Dimensiones:



MA10036i

Equipo médico Midmark® + Ritter® (mesas, sillas, asientos para médicos, lámparas, estaciones de trabajo y esterilizadores) Garantía limitada

COBERTURA DE LA GARANTÍA. Midmark Corporation («Midmark») garantiza al comprador minorista original que reparará o reemplazará, a discreción de Midmark, los componentes de los productos médicos nacionales e internacionales fabricados por Midmark (excepto los componentes no garantizados en «Exclusiones») que contengan materiales defectuosos o fallos de mano de obra en condiciones normales de uso y servicio. La responsabilidad única en virtud de esta garantía limitada es a la reparación o la sustitución, a discreción de Midmark, de los componentes aplicables. Esta garantía limitada solo se aplicará a los defectos que se notifiquen a Midmark dentro del período de garantía y cuya existencia se llega a determinar tras un examen efectuado por Midmark. Esta garantía se expide únicamente al comprador minorista original de un producto y no es transferible ni asignable. Se pueden utilizar componentes o productos de repuesto o reformados, siempre y cuando tengan la misma calidad y especificaciones que los componentes y productos nuevos.

Midmark garantiza al comprador minorista original que, durante el período de garantía, reparará o reemplazará el software contenido en los productos fabricados por Midmark (excepto los que no estén garantizados en «Exclusiones») si: (1) los formatos en los que se proporciona el software muestran materiales defectuosos o fallos de mano de obra en condiciones normales de uso y servicio; o (2) el software no se ajusta sustancialmente a las especificaciones publicadas.

PERÍODO DE LA GARANTÍA El período de validez de la garantía de todos los productos y componentes es de un (1) año a partir de la fecha de facturación al comprador minorista original del producto. Los limpiadores ultrasónicos QuickClean® están garantizados por un período de tres (3) años.

OBTENCIÓN DEL SERVICIO DE GARANTÍA El servicio de garantía debe obtenerse a través de un distribuidor de Midmark o un distribuidor autorizado por Midmark en la línea de productos para la que se solicita el servicio de garantía. Puede contactar con Midmark para consultarle dudas o problemas sobre el servicio de garantía por correo electrónico en midmark.com, por teléfono al +1.937.526.3662 o por correo postal a Midmark Corporation, 60 Vista Drive, Versailles, Ohio 45380. Es obligación del comprador minorista organizar la entrega de un producto a Midmark o a uno de sus distribuidores autorizados para el servicio de garantía, la cual correrá a cargo del comprador. También es obligación del comprador minorista cumplir las instrucciones de servicio de garantía proporcionadas, ya sea por Midmark o por su distribuidor autorizado. El comprador minorista debe suministrar a Midmark la información de registro de la garantía completada en un plazo de treinta (30) días después de la compra con el fin de obtener los beneficios de esta garantía limitada.

EXCLUSIONES: Esta garantía limitada no cubre (y Midmark no es responsable de) lo siguiente:

- (1) Defectos, daños u otras condiciones causadas, en su totalidad o en parte, por el mal uso, abuso, negligencia, alteración, accidente, daños durante el transporte, almacenamiento negligente, manipulación o incapacidad de solicitar y lograr la reparación o la sustitución dentro del plazo estipulado;
- (2) Productos que no se hayan instalado, utilizado o limpiado y mantenido adecuadamente tal y como se indica o se recomienda en la «Instalación» de Midmark y/o el «Manual de instalación/uso» del producto en cuestión, incluidas las condiciones de entorno estructural y operativo y los requisitos de alimentación eléctrica;
- (3) Productos considerados de naturaleza consumible o estéril;
- (4) Accesorios o piezas no fabricados por Midmark;
- (5) Facturas de terceros en concepto de ajustes, reparaciones, piezas de recambio, instalaciones o cualquier otra modificación del producto, o relacionada con el mismo, que se hayan realizado sin la autorización previa por escrito de Midmark;
- (6) Costes y gastos de mantenimiento y limpieza rutinarios; y
- (7) Declaraciones y garantías hechas por cualquier persona o entidad que no sea Midmark.
- (8) Coincidencia de color, grano o textura, a excepción de las normas comercialmente aceptables;
- (9) Cambios en el color causados por la luz natural o artificial;
- (10) Productos fabricados a medida;
- (11) Alteraciones o modificaciones del producto efectuadas por cualquier persona o entidad que no sea Midmark; y
- (12) Productos que estarían cubiertos por esta garantía limitada pero que se hayan adquirido: (i) a través de una persona o entidad distinta a Midmark o sus distribuidores autorizados; o (ii) a través de un distribuidor de Midmark que no tenga la autorización para vender el producto en cuestión en el territorio donde se encuentre el comprador, o que no tenga la autorización para vender el producto en el sector médico.

SOFTWARE; EN RELACIÓN CON EL SOFTWARE QUE CONSTITUYA UN PRODUCTO O COMPONENTE DEL MISMO. MIDMARK NO GARANTIZA QUE EL SOFTWARE: (1) ESTÉ LIBRE DE ERRORES; (2) SE PUEDA UTILIZAR SIN PROBLEMAS NI INTERRUPCIONES; O (3) NO SEA VULNERABLE A LA INTRUSIÓN O AL ATAQUE DE VIRUS U OTROS MÉTODOS.

RESPONSABILIDAD EXCLUSIVA; DAÑOS EMERGENTES; LA ÚNICA RESPONSABILIDAD DE MIDMARK EN VIRTUD DE LA PRESENTE GARANTÍA LIMITADA ES LA DE REPARAR O SUSTITUIR LAS PIEZAS DEFECTUOSAS. MIDMARK NO SE HACE RESPONSABLE DE, Y POR LA PRESENTE RENUNCIA A, CUALESQUIERA DAÑOS DIRECTOS, ESPECIALES, INDIRECTOS, ACCIDENTALES, EJEMPLARES O CONSECUENTES, O DEMORAS, INCLUIDOS, SIN LIMITACIÓN, DAÑOS POR PÉRDIDA DE GANANCIAS O INGRESOS, PÉRDIDA DE USO, PÉRDIDA DE DATOS, TIEMPO MUERTO, COBERTURA Y SALARIOS DE EMPLEADOS O DE CONTRATATISTA INDEPENDIENTE, PAGOS Y BENEFICIOS. LA PRESENTE EXENCIÓN DE RESPONSABILIDAD SERÁ VÁLIDA AUN EN CASO DE INCUMPLIMIENTO O INCUMPLIMIENTO ALEGADO DEL OBJETIVO PRINCIPAL DE ESTA GARANTÍA LIMITADA O DE SUS RESPONSABILIDADES ESPECIFICADAS EN EL PRESENTE DOCUMENTO. EXENCIÓN DE RESPONSABILIDAD DE LA GARANTÍA ESTA ES LA GARANTÍA COMPLETA DE MIDMARK Y SUSTITUYE A CUALQUIER OTRA GARANTÍA, EXPLÍCITA O IMPLÍCITA. MIDMARK NO OFRECE GARANTÍAS IMPLÍCITAS DE NINGÚN TIPO, INCLUIDAS LAS IMPLÍCITAS DE COMERCIABILIDAD O IDONEIDAD PARA UN PROPÓSITO DETERMINADO. ESTA GARANTÍA SE LIMITA A LA REPARACIÓN O SUSTITUCIÓN DE PIEZAS DEFECTUOSAS.

ESTATUTO DE LIMITACIONES No podrá interponerse ninguna acción contra Midmark por incumplimiento de esta garantía limitada, de una garantía implícita, si las hubiere, o por cualquier otra reclamación que surja de o en relación con los productos, después de transcurridos noventa (90) días después del vencimiento del período de garantía limitada.

AUTORIZACIÓN Midmark no autoriza a ninguna persona ni empresa a imponer ni aprobar ninguna otra obligación ni responsabilidad en relación con los productos.

003-10025-99

Español - 27

© Midmark Corporation 2017

TP202 20-42-FO-00014 Rev A1 C2169

Midmark Corporation

60 Vista Drive

Versailles, OH 45380 EE. UU.

1.800.643.6275

+1.937.526.3662

www.midmark.com



TP202 20-42-FO-00014 Rev A1 C2169

Shop tables & accessories at

Ritter®

Fauteuil d'examen Barrier-Free®

[English](#)

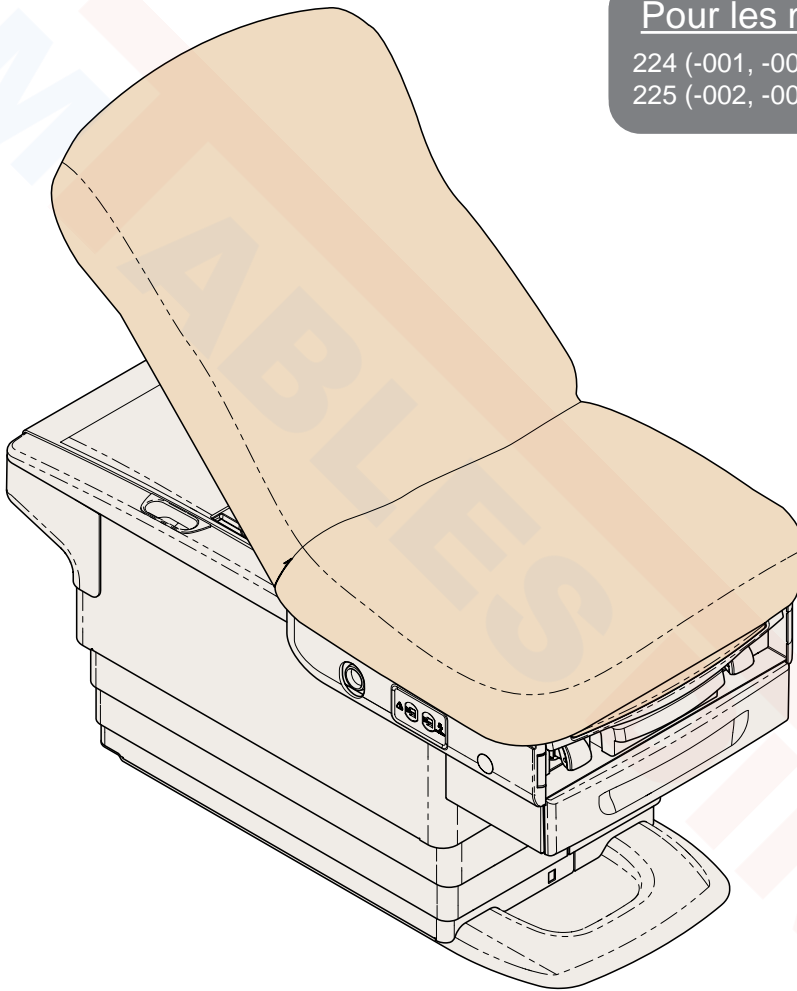
[Español](#)

[Français](#)

Pour les modèles :

224 (-001, -002, -003)

225 (-002, -003)



MA103271

Guide de l'utilisateur

TP202 20-42-FO-00014 Rev A2 C2169

Style P

Informations sur le produit

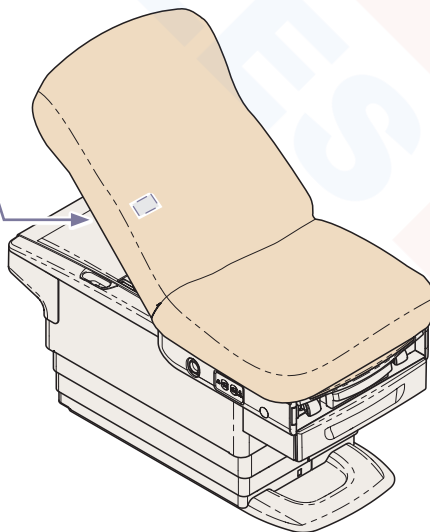
Distributeur :

Date d'acquisition :

Numéro de modèle/de série :

Société de service après-vente agréée Midmark :

L'étiquette sur laquelle figure le numéro de modèle/de série est située sur le support de montage du dossier
(l'emplacement exact peut varier)



MA100311

Table des matières

Renseignements importants

Symboles de sécurité	4
Enregistrement du produit	5
Transport / Conditions de stockage	5
Conditions d'utilisation	5
Mise au rebut de l'équipement	5
Représentants autorisés	6
Utilisation prévue	7
Spécifications électriques	7
Interférences électromagnétiques	7
Consignes de sécurité	9

Fonctionnement

Technologie Active Sensing™	11
Fonction Élévation/Abaissement de l'assise	12
Fonction Élévation/Abaissement du dossier	13
Rouleau de papier et sangle de maintien	15
Étriers	16
Repose-pied et cuvette de traitement	17
Tiroir avec élément chauffant	18
Surélévation du bassin	19
Prises de courant doubles	20
Système de roulettes Clean Assist™	21

Entretien

Service technique	22
Nettoyage	22
Entretien préventif	22

Caractéristiques techniques

Tableau des caractéristiques	23
Identification du modèle/Tableau de conformité	24
Amplitude de mouvement :	25
Dimensions :	26

Renseignements sur la garantie

Garantie limitée	27
------------------------	----

Renseignements importants - Symboles de sécurité



AVERTISSEMENT

Signale un danger potentiel qui pourrait entraîner des blessures graves.



Attention

Signale un danger potentiel qui risque d'entraîner des blessures modérées ou mineures. Il peut également servir à signaler à l'utilisateur des pratiques dangereuses.



Avertissement concernant l'équipement

Signale une situation qui pourrait endommager l'équipement.

Remarque

Attire l'attention sur une procédure, une pratique ou une situation.

Glossaire des symboles



Cycle d'utilisation (cycle du moteur)
30 secondes de marche,
5 minutes d'arrêt



Orientation correcte pour
transport



Fragile



Type B, partie appliquée
(garniture)



Mise à la terre de protection



Poids limite du patient



Fabricant



Mode d'emploi



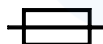
Numéro de série



Conserver au sec



Hauteur maximale d'empilage
(nombre de palettes)



Calibre des fusibles



Tension dangereuse / risque
d'électrocution



Consulter le manuel



Numéro de catalogue

Enregistrement du produit

Pour enregistrer votre produit, visiter le site www.midmark.com.

Transport / Conditions de stockage

Plage de températures ambiantes :.....De -30°C à +60°C (-22°F à +140°F)

Humidité relative.....de 10 à 90 % (sans condensation)

Conditions d'utilisation

Plage de températures ambiantes :.....De +10 °C à +40 °C (+50 °F à +104 °F)

Humidité relative.....de 30 à 75 % (sans condensation)

Altitude.....inférieure ou égale à 3 000 m

Mise au rebut de l'équipement

À la fin de la durée de vie du produit, le fauteuil, les accessoires et autres fournitures peuvent avoir été contaminés dans le cadre d'une utilisation médicale normale. Consulter les codes et les arrêtés locaux pour vous renseigner sur la mise au rebut appropriée de l'équipement, des accessoires et autres fournitures.

Représentants autorisés



AVERTISSEMENT

En cas d'incident grave en rapport avec le dispositif, veuillez contacter Midmark et l'autorité compétente appropriée.

En Colombie, tous les problèmes, plaintes ou questions des clients doivent être adressés au représentant autorisé de Midmark indiqué ci-dessous.

Técnica Electromédica S.A.

Calle 47 # 5-26

Bogota Colombia c.p. 110111

Tel. (+ 57 1) 756 87 87

atencionalcliente@tecnicaelectromedica.com

En Costa Rica, tous les problèmes, plaintes ou questions des clients doivent être adressés au représentant autorisé de Midmark indiqué ci-dessous.

Corporacion Almotec SA

225 metros al sur de oficina de correos

San Jose, Zapote, Costa Rica

Tel: 506 7112 9782

En Panama, tous les problèmes, plaintes ou questions des clients doivent être adressés au représentant autorisé de Midmark indiqué ci-dessous.

TECNIDENTAL PANAMA S.A.

VILLA MAGNA, VILLA ZAITA

OFFICE B8

PANAMA

Tel/Fax: 343-4049/ 6614-8029

tecnidentalpanama@gmail.com

En Mexique, tous les problèmes, plaintes ou questions des clients doivent être adressés au représentant autorisé de Midmark indiqué ci-dessous.

Sofía Zavala | Asuntos Regulatorios

Carlos Nafarrate SA de CV

Avenida Las Américas 601,

Ladrón de Guevara, 44600,

Guadalajara, Jalisco, México | Tel (33) 3669 9800

Utilisation prévue

Ce fauteuil d'examen est destiné à être utilisé comme un fauteuil ou une table afin de permettre le placement et le support du patient lors d'une procédure ou d'un examen général(e) effectué(e) par un professionnel de la santé qualifié.

Spécifications électriques

Avant de brancher le cordon d'alimentation de l'appareil Midmark à une prise électrique, il est recommandé de contacter un électricien agréé de votre localité ou une autorité locale compétente en matière de distribution électrique interne dans les bâtiments pour vérifier que l'appareil, une fois sous tension, sera conforme à tous les codes électriques locaux. Utiliser la puissance nominale indiquée sur l'appareil pour déterminer l'alimentation électrique appropriée pour le circuit de dérivation et la prise. Pour les modèles d'appareil d'une puissance nominale de 115 V avec un courant nominal égal ou supérieur à 12 A, un circuit de dérivation dédié peut être nécessaire si la protection du circuit de dérivation est fournie par un disjoncteur 15 A.



Attention

Pour que le fauteuil soit complètement isolé du réseau électrique, le cordon d'alimentation doit être débranché.



Attention

Avant d'utiliser des dispositifs chirurgicaux à haute fréquence ou des cathéters endocardiques, consulter le mode d'emploi de ces dispositifs. Tout manquement à cette recommandation peut provoquer une électrocution ou des brûlures au patient.

Interférences électromagnétiques

Ce produit est conçu et fabriqué pour minimiser les interférences électromagnétiques avec d'autres appareils. Cependant, en cas d'interférences entre un autre appareil et ce produit :

- Retirer de la pièce l'appareil qui génère des interférences.
- Brancher le fauteuil sur un circuit isolé.
- Augmenter la distance entre le fauteuil et l'appareil qui crée les interférences.
- Contacter Midmark si les interférences persistent.



Avertissement concernant l'équipement

Les équipements de communication RF portables (y compris les périphériques tels que les câbles d'antenne et les antennes externes) ne doivent pas être utilisés à moins de 30 cm (12 po) de toute partie du fauteuil d'examen, y compris les câbles spécifiés par le fabricant, pour éviter tout risque de dégradation des performances de cet équipement.

CEM - Déclaration du fabricant et conseils

Remarque

Les caractéristiques d'émissions de cet équipement permettent son utilisation dans les zones industrielles et les hôpitaux. Ce fauteuil d'examen n'est pas destiné à être utilisé dans un environnement résidentiel.

Essai d'immunité	Niveau d'essai d'immunité
Décharge électrostatique	± 8 kV Contact, ±15 kV Air
Champs EM RF rayonnées	3 V/m 80 MHz-2,7 GHz 80 % AM à 1 kHz
Champs magnétiques à fréquence nominale	30 A/m
Transitoires électriques rapides	±2 kV à une fréquence de répétition de 100 kHz
Surtensions	Ligne à ligne : ±1 kV Ligne à la terre : ±2 kV
RF transmise par conduction	3 V : 0,15 MHz -80 MHz 6 V dans les bandes ISM de 0,15 MHz à 80 MHz 80 % AM à 1 kHz
Chutes de tension	0 % UT ; 0,5 cycle À 0°, 45°, 90°, 135°, 180°, 225°, 270° et 315° 0 % UT ; 1 cycle et 70 % UT ; 25/30 cycles Monophasé : à 0°
Interruptions de tension	0 % UT ; 250/300 cycles

Essai par rayonnement	Niveau d'essai par rayonnement
Émissions RF transmises par conduction et rayonnées	CISPR 11 Groupe 1 Classe A

Consignes de sécurité



AVERTISSEMENT

Aucune modification de cet équipement n'est autorisée.



AVERTISSEMENT

Le branchement de l'équipement dans une prise multiple entraîne en fait la création d'un système électromédical, susceptible d'aboutir à une réduction du niveau de sécurité.



AVERTISSEMENT

Pour éviter le risque d'incendie ou d'électrocution, brancher cet équipement uniquement dans une prise secteur reliée à la terre.



AVERTISSEMENT

S'assurer que l'environnement est dégagé d'obstacles avant chaque utilisation, pour éviter tout fonctionnement incorrect ou blessure grave.



AVERTISSEMENT

L'utilisation d'accessoires, de transducteurs et de câbles autres que ceux spécifiés ou fournis par le fabricant de cet équipement peut induire une augmentation des émissions électromagnétiques ou une diminution de l'immunité électromagnétique de cet équipement et entraîner un mauvais fonctionnement.



AVERTISSEMENT

Ce produit peut vous exposer à des agents chimiques, tels que l'oxyde d'antimoine (trioxyde d'antimoine), connu, dans l'État de Californie, pour être cancérigène. Pour plus d'informations, visitez www.p65warnings.ca.gov



AVERTISSEMENT

Le matériel ne doit pas être utilisé à proximité d'un mélange anesthésique inflammable.

Clarification : Ce matériel peut être utilisé en présence d'oxygène, d'air ou de protoxyde d'azote.

Consignes de sécurité – suite



AVERTISSEMENT

Veiller à ce que tout membre du personnel et tout équipement soient éloignés du fauteuil avant d'activer une fonction. Garder un espace libre de minimum 6 in. (15,25 cm) autour du siège. Tout manquement à cette recommandation peut entraîner des blessures.

Lorsque le fauteuil est abaissé au maximum [46 cm (18 po)], l'espace entre le bas du tiroir et le sol est d'environ 12,7 cm (5 po). Éloigner le patient (*notamment ses pieds*) et tout objet de cette zone avant d'abaisser le fauteuil d'examen.

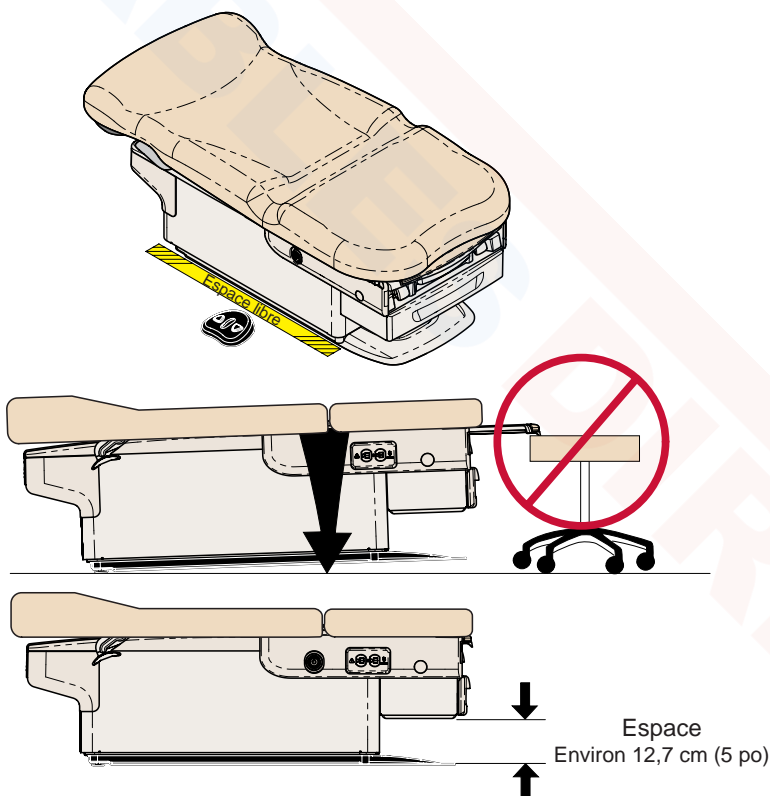


Avertissement concernant l'équipement

Dans le cadre d'une utilisation normale, le fauteuil doit être installé de façon à permettre un accès aisé aux cordons d'alimentation afin de les débrancher.

Si le fauteuil d'examen ne fonctionne pas correctement, relâcher immédiatement la pédale, débrancher le cordon d'alimentation et aider le patient à descendre du fauteuil. Si le dysfonctionnement persiste, contacter le service technique.

Il est impératif de respecter ces instructions pour éviter toute blessure au patient et/ou dommage matériel.



Français - 10

Fonctionnement

Technologie Active Sensing™



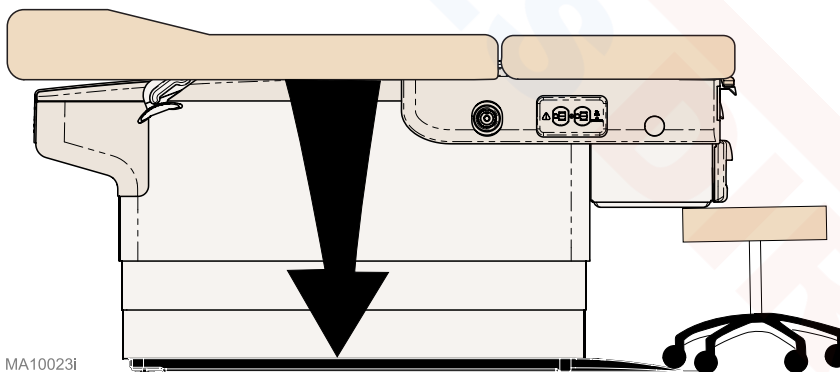
AVERTISSEMENT

Veiller à ce que tout membre du personnel et tout équipement soient éloignés du fauteuil avant d'activer une fonction. Tout manquement à cette recommandation peut entraîner des blessures.

La technologie Active Sensing™ empêche tout déplacement de la table vers le bas si le bas du tiroir rencontre un obstacle. Si la technologie Active Sensing™ est activée, celle-ci émet une série de « bips », désactive la fonction Abaissement de l'assise et déplace le fauteuil dans la direction Levage de l'assise. Pour reprendre l'abaissement de l'assise, retirer l'objet entravant le bas du tiroir et appuyer sur les boutons Monter/Descendre l'assise sur le contrôleur.

Remarque

La technologie Active Sensing™ n'est pas disponible sur les modèles sans tiroir.



Fonctionnement

Fonction Élévation/Abaissement de l'assise

Attention !

Si la bas du tiroir rencontre un obstacle, la technologie Active Sensing™ arrête l'abaissement de l'assise et celle-ci se rétracte vers le haut.

(Vous entendrez une série de « bips » si la technologie Active Sensing™ est activée.)

Pour reprendre l'abaissement de l'assise :

Retirer l'objet qui se trouve en bas du tiroir.

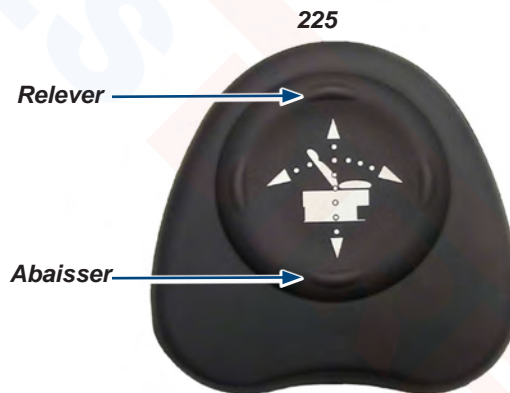
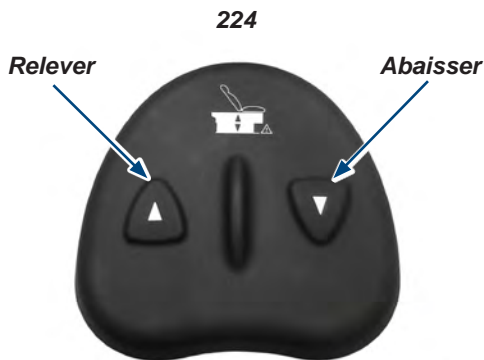
Appuyer sur le bouton Abaissement de l'assise.

Remarque

Le fauteuil s'arrête automatiquement lorsqu'il atteint sa limite maximale de levage et d'abaissement.

Pour relever ou abaisser le fauteuil...

Maintenir enfoncé le bouton approprié.

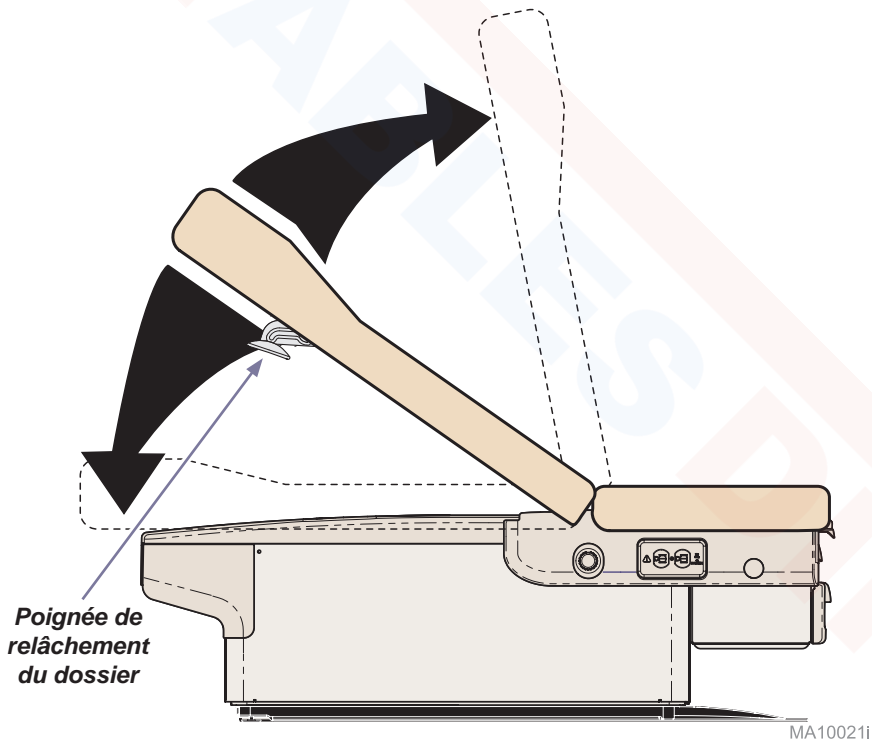


Fonctionnement – Suite

Fonction Élévation/Abaissement du dossier - 224

Pour positionner le dossier...

- A) *Tout en maintenant le dossier en place, serrer la poignée de relâchement du dossier (d'un côté ou de l'autre de la table).*
- B) *Positionner le dossier.*
- C) *Relâcher la poignée pour bloquer le dossier.*



Fonctionnement – Suite

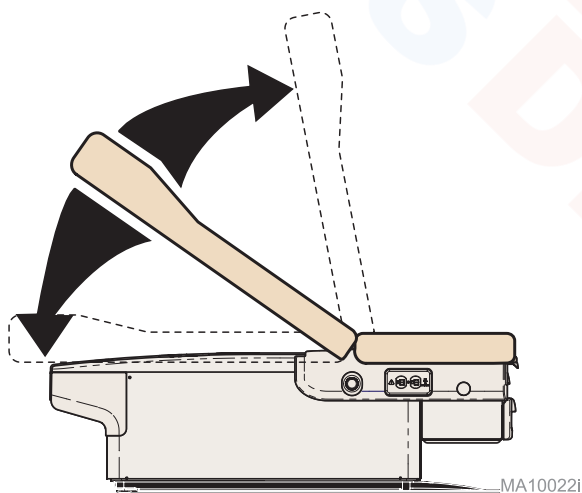
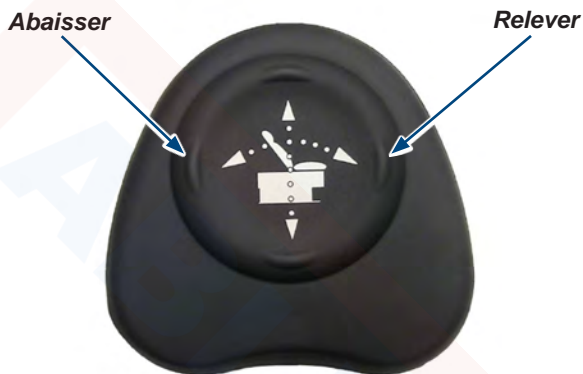
Fonction Élévation/Abaissement du dossier - 225

Remarque

Le dossier s'arrête automatiquement lorsqu'il atteint sa hauteur maximale de levage ou d'abaissement.

Pour positionner le dossier...

Maintenir enfoncé le bouton approprié.

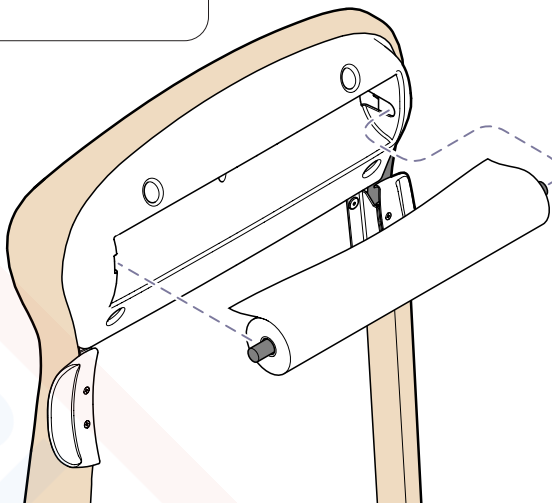


Rouleau de papier et sangle de maintien

Taille du rouleau de papier (maximale) : 61 cm de large x 9,2 cm de diamètre
(24 po x 3,5 po)

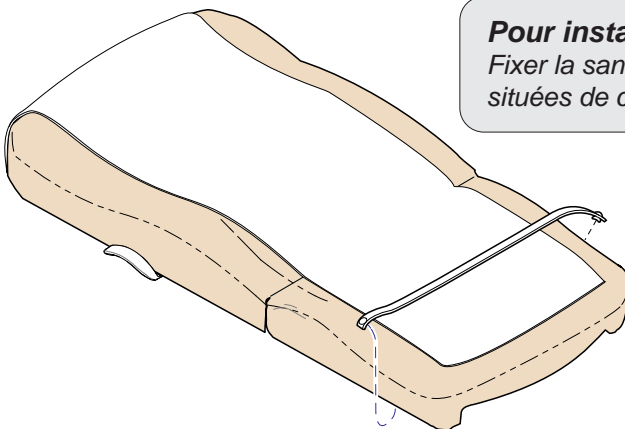
Remarque

Il est possible de ranger un rouleau de papier supplémentaire sous le dossier.



AVERTISSEMENT

Pour éviter toute blessure, ne pas placer la tête ou des extrémités sous la sangle de maintien du papier.



Pour installer la sangle de maintien...

Fixer la sangle de maintien aux accroches situées de chaque côté du fauteuil.

Étriers

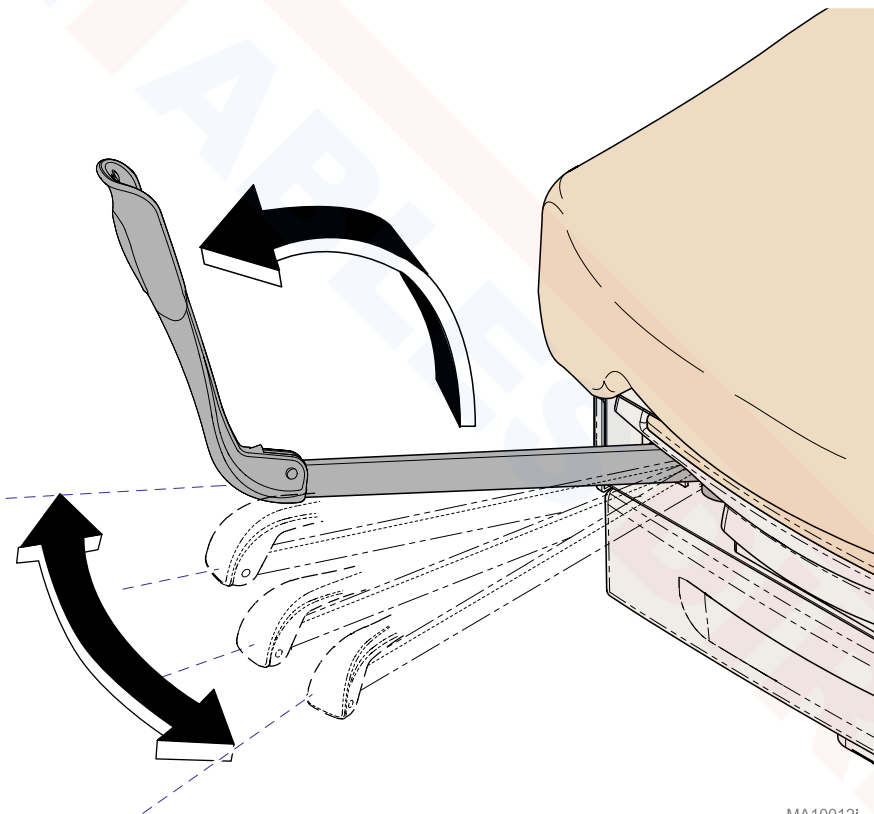


Attention

Vérifier que les étriers sont bien en place et bloqués avant de les utiliser. Les étriers ne peuvent pas supporter le poids du patient.

Pour positionner les étriers...

- A) Tirer l'étrier, puis le déplier.
- B) Soulever légèrement l'étrier, puis le déplacer vers la droite ou vers la gauche.
- C) Relâcher l'étrier pour le bloquer dans la position souhaitée.



MA10012i

Repose-pied et cuvette de traitement (non disponibles sur certains modèles)

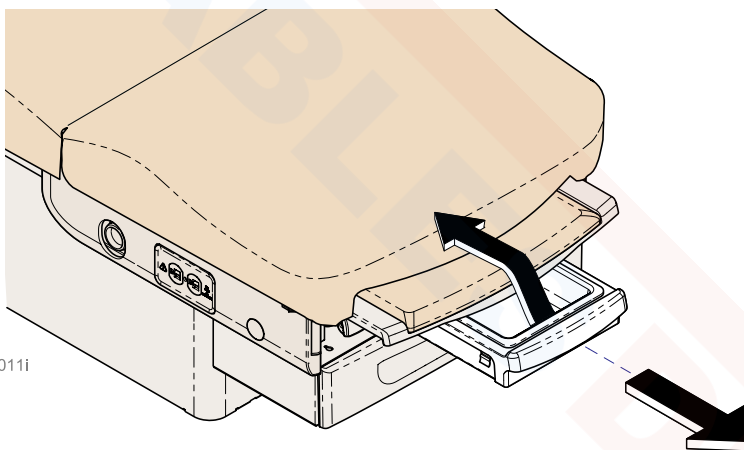


AVERTISSEMENT

Le repose-pied n'est pas prévu pour supporter le poids du patient.

Pour sortir le repose-pied...

Sortir le repose-pied jusqu'à la position désirée.



Pour accéder à la cuvette de traitement...

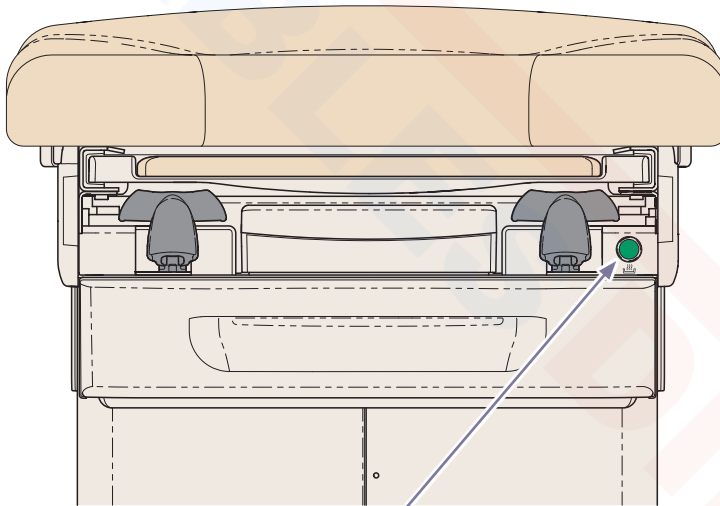
Tirer la cuvette jusqu'à la position désirée.

Tiroir avec élément chauffant (non disponible sur certains modèles)

L'élément chauffant du tiroir chauffe à une température de 33 °C (92 °F) à 44 °C (112 °F) mesurée au centre du tiroir à température ambiante et à la tension d'entrée nominale.

Pour activer/désactiver l'élément chauffant du tiroir...
Enfoncer puis relâcher le bouton de l'élément chauffant du tiroir.

Remarque : le bouton s'allume lorsque l'élément chauffant est activé.



**Bouton de l'élément
chauffant du tiroir**

MA10015i

Surélévation du bassin (non disponible sur certains modèles)

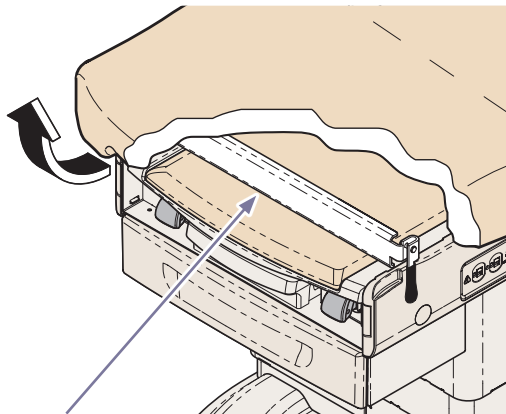


AVERTISSEMENT

Pour éviter tout risque de blessure, ne placez ni vos bras ni vos jambes sous le siège.

Pour élever l'assise...

Relever l'assise jusqu'à ce que le support du bassin s'enclenche en place.

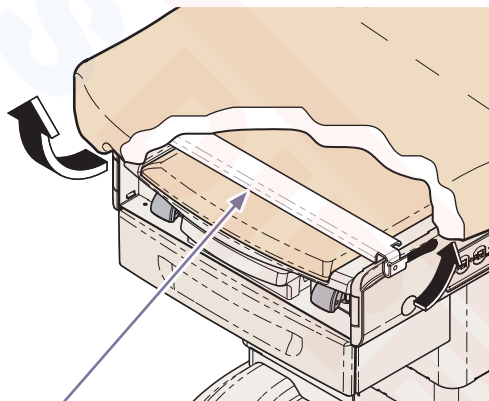


Support du bassin

MA10017i

Pour remettre l'assise à plat...

- A) Soulever l'assise légèrement.
- B) Faire pivoter la poignée du support du bassin vers le haut.
- C) Rabaisser l'assise.



Support du bassin

MA10018i

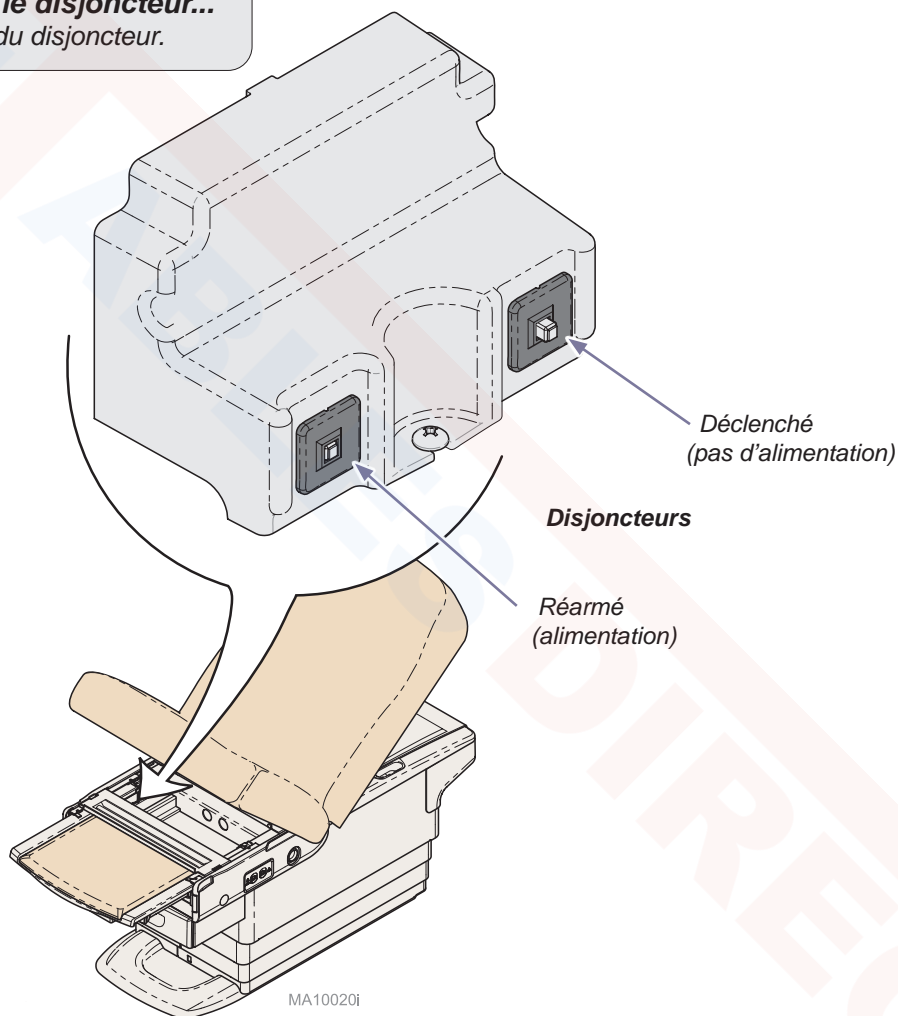
Prises de courant doubles (non disponibles sur certains modèles)

Les prises de courant doubles situées de part et d'autre du fauteuil permettent le branchement des accessoires utilisés lors des interventions. Il y a deux disjoncteurs sous l'assise.

Si la charge maximale de la prise est dépassée, les disjoncteurs coupent l'alimentation.

Charge maximale.....115 V CA, 4 ampères

Pour réinitialiser le disjoncteur...
Enfoncer le bouton du disjoncteur.



Système de roulettes Clean Assist™ (non disponibles sur certains modèles)

Les leviers de commande situés sous le dossier de part et d'autre permettent d'activer et de désactiver le **système de roulettes Clean Assist™**. Les roulettes sont situées à chaque coin du fauteuil pour permettre le positionnement du fauteuil.



Attention

Pour éviter tout risque de blessure, ne jamais activer / désactiver le système de roulettes Clean Assist™ ou déplacer le fauteuil lorsqu'un patient est installé sur le fauteuil. Être prudent lors de la manutention du fauteuil.



Avertissement concernant l'équipement

Le système de roulettes Clean Assist™ est destiné à être utilisé pour le positionnement du fauteuil à l'intérieur de la salle d'examen uniquement.



Avertissement concernant l'équipement

Veiller à activer les deux leviers de commande.



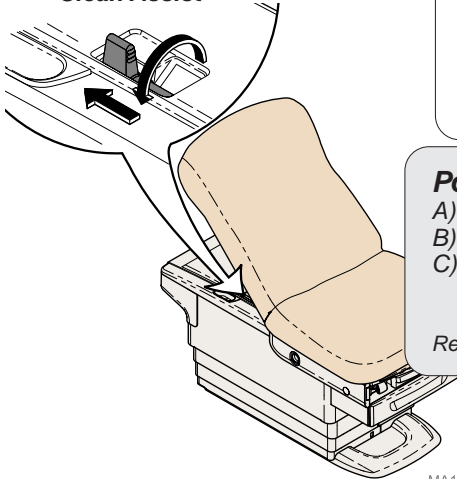
AVERTISSEMENT

Pour éviter le risque de chute, le système de roulettes Clean Assist™ doit être désenclenché lorsqu'un patient monte ou descend du fauteuil.

Pour activer le système de roulettes Clean Assist™...

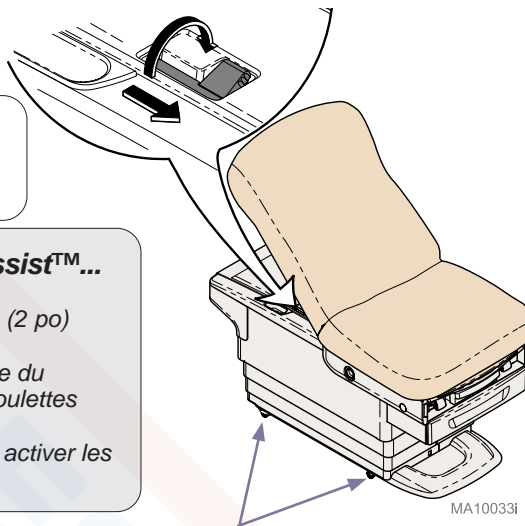
- Relever le dossier à un angle de 30 à 45 degrés.
- S'assurer que le fauteuil se trouve à au moins 5 cm (2 po) au-dessus de sa position la plus basse.
- Déplacer les leviers de commande de part et d'autre du fauteuil sur la position enclenchée du système de roulettes Clean Assist™.
- Régler le fauteuil sur sa position la plus basse pour activer les roulettes.

Position désenclenchée du système de roulettes Clean Assist™



MA10029I

Système de roulettes Clean Assist™



MA10033I



Avertissement concernant l'équipement

Après l'activation du système de roulettes Clean Assist™, débrancher le cordon d'alimentation et la pédale de commande et les ranger à distance du travail pour éviter d'endommager les cordons.

Pour désactiver le système de roulettes Clean Assist™...

- Placer le fauteuil à l'emplacement souhaité.
- Rebrancher le cordon d'alimentation.
- Relever le fauteuil d'au moins 5 cm (2 po) pour désactiver le système de roulettes Clean Assist™.

Remarque : Vous entendrez un clic qui confirme la désactivation.

Remarque

Les leviers de commande se replacent automatiquement sur la position désenclenchée du système de roulettes Clean Assist™.

Entretien

Service technique

Remarque

Vous devez préciser le numéro de modèle/série lorsque vous contactez le service technique.

Si une réparation est nécessaire, contacter votre revendeur Midmark agréé. Pour contacter directement Midmark :

+1.937.526.3662

de 8 h à 17 h, du lundi au vendredi (ET : UTC - 5 h) [sauf jours fériés officiels aux États-Unis]

Nettoyage



AVERTISSEMENT

La garniture doit être examinée avant chaque utilisation et être remplacée si elle est percée ou endommagée de quelque façon que ce soit.



Avertissement concernant l'équipement

La garniture résiste à la plupart des taches d'origine médicale, mais risque d'être endommagée par les solvants et les teintures. Essuyer immédiatement tout liquide renversé sur la garniture.

Garniture

Laver la garniture toutes les semaines avec un mélange de savon doux liquide et d'eau, rincer à l'eau claire et sécher complètement pour éviter l'accumulation de nettoyant désinfectant.

Désinfecter la garniture avec une solution d'eau de javel standard et d'eau mélangée dans un rapport de 1 pour 10 (10 %) ou de nettoyants à base de chlore. Puis rincer à l'eau claire et sécher soigneusement. Se reporter à la directive actuelle de désinfection et de stérilisation dans les centres de santé du Centre pour le contrôle et la prévention des maladies (CDC).

Pour minimiser le danger dû à l'accumulation de nettoyant désinfectant résiduel, empêcher les désinfectants de se regrouper à la surface de la garniture. Une fois le temps de contact requis passé, retirer et sécher l'excédent de liquide restant sur la surface.

Votre produit est livré avec un manuel détaillé d'utilisation et d'entretien. Ces informations sont disponibles sur www.midmark.com dans la bibliothèque technique sous l'onglet Assistance pour votre produit.

Surfaces en métal/en plastique peintes

Chaque semaine, nettoyer les surfaces en métal et en plastique peintes de la table à l'aide d'un chiffon doux propre et d'un détergent doux.

Entretien préventif

Examiner périodiquement les zones suivantes :

- Le/les cordon(s) d'alimentation ne doit/doivent présenter aucune coupure ou autre dommage visible.
- Toutes les fixations doivent être en place et bien attachées.
- Tous les dispositifs mécaniques doivent fonctionner correctement.

Lubrifier régulièrement la charnière du dossier afin de maintenir un fonctionnement silencieux et harmonieux (utiliser une huile légère pour machines).

Faites vérifier votre équipement chaque année par un technicien qualifié.



AVERTISSEMENT

En cas de présence de pièces usées ou endommagées, le fauteuil doit être mis hors service et réparé. Tout manquement à cette recommandation peut entraîner des blessures.

Caractéristiques techniques

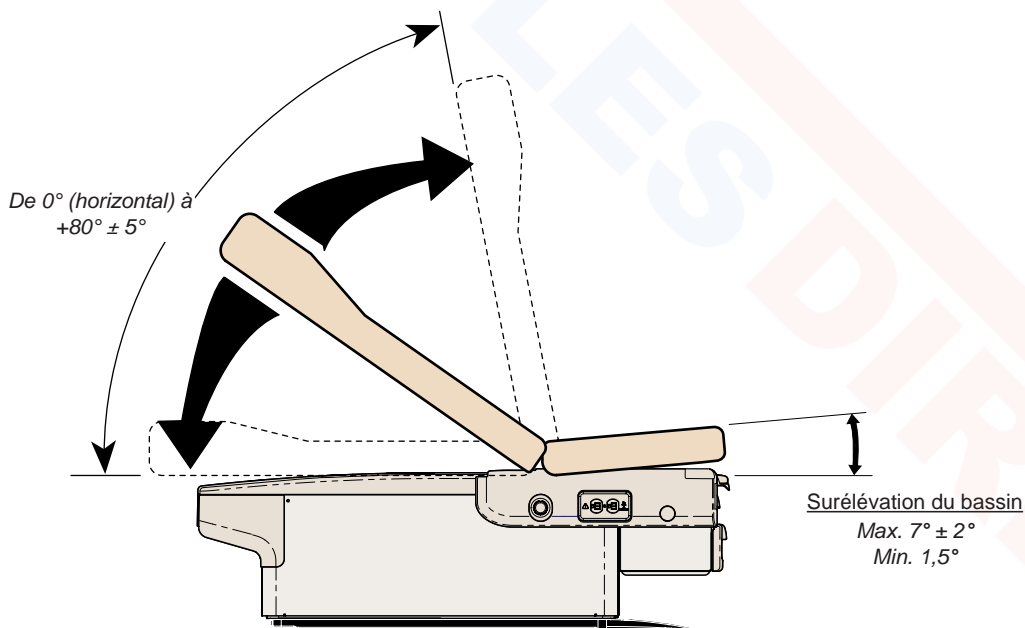
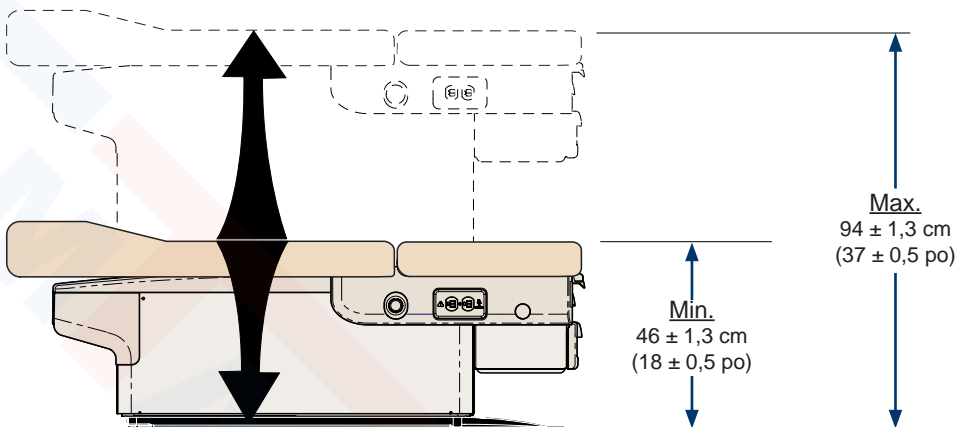
Tableau des caractéristiques	
Poids du patient (maximal)	227 kg (500 livres)
Rouleau de papier (dimensions maximales) :	61 cm x 9,2 de diamètre (24 po x 3,5 po)
Amplitude de mouvement et dimensions :	[Voir les pages Amplitude de mouvement et dimensions]
Poids du fauteuil : avec garniture avec emballage et palette (sans garn.) Garn. avec emballage (expédiée séparément)	201,8 kg (445 lbs) 206,4 kg (455 lbs) 18,1 kg (40 lbs)
Longueur du cordon d'alimentation :	244 cm (8 pi) de long
Spécifications électriques :	[Voir Identification du modèle/Tableau de conformité]
Alimentation de la pédale/commande manuelle :	3,3 V CC, SELV (Tension de sécurité extra-basse)
Charge maximale des prises de courant doubles : (non disponibles sur certains modèles)	115 V CA, 4A, 50/60 Hz
Calibre des fusibles : <i>Préfusibles CEI</i> <i>F1 (sur carte principale des circuits imprimés)</i> <i>F2 (sur carte principale des circuits imprimés)</i>	T8AH, 250V, 5 x 20 mm T6.3AH, 250V, 5 x 20 mm T250mAH, 250V, 5 x 20 mm
Cycle d'utilisation (cycle du moteur) :	Fonctionnement par intermittence [30 secondes activé / 5 minutes désactivé]
Prises, éléments chauffants du tiroir :	Fonctionnement continu
Classifications :	Classe 1, partie appliquée sur le patient de type B, Fonctionnement par intermittence [30 secondes activé / 5 minutes désactivé]
Certifications :	ES 60601-1:2012, CSA C22.2 No. 60601-1:14; (normes de sécurité) IEC 60601-1-2:2014 (normes CEM)
Protection contre la pénétration de liquides :	IPX0 Fauteuil IPX1 Pédale de commande

Identification du modèle/Tableau de conformité

Modèle	Description	Conforme aux normes :					Alimentation électrique :		
		ANSI/AAMI ES60601-1	CAN/CSA-C22.2 N° 60601-1:14	CEI 60601-1-2	NFPA 99	CE	V CA +/-10 %	Intensité	Cycles (Hz)
224-001	Fauteuil Ritter® Basic	•	•	•	•		115	9	50 / 60
224-002	Fauteuil Ritter® Basic avec prises de courant, surélévation du bassin et élément chauffant de tiroir	•	•	•	•		115	11,5	50 / 60
224-003	Fauteuil Ritter® Basic avec prises de courant, roulettes encastées, surélévation du bassin et élément chauffant de tiroir	•	•	•	•		115	11,5	50 / 60
225-002	Fauteuil Ritter® à dossier électrique avec prises de courant, surélévation du bassin et élément chauffant de tiroir	•	•	•	•		115	11,5	50 / 60
225-003	Fauteuil Ritter® à dossier électrique avec prises de courant, roulettes encastées, surélévation du bassin et élément chauffant de tiroir	•	•	•	•		115	11,5	50 / 60

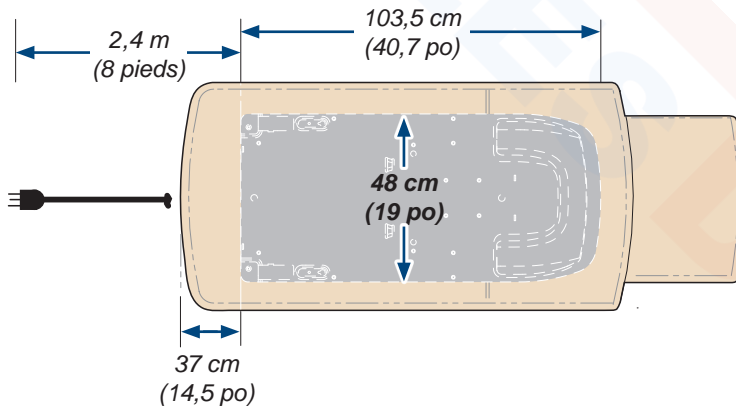
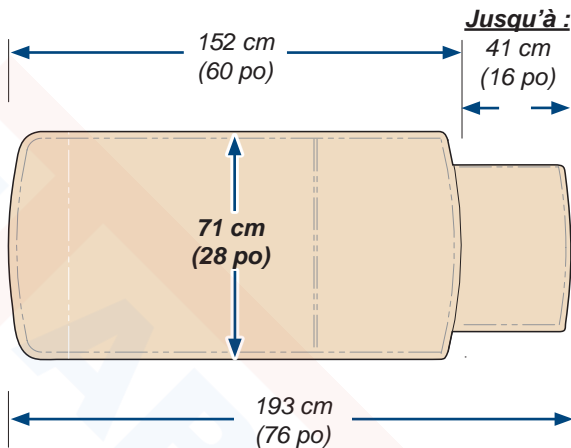
Conformité au code des incendies : Toutes les garnitures sont conformes aux normes du California Bureau of Home Furnishing Technical Bulletin 117 et du California Code of Regulations, Sect. 93120-93120.12, Titre 17. Une garniture en option est disponible, elle est conforme aux normes du California Bureau of Home Furnishing Bulletin technique 133.

Amplitude de mouvement :



MA10035I

Dimensions :



MA10036i

Garantie limitée de l'équipement médical Midmark® + Ritter® (tables, chaises, tabourets de praticiens, lampes, postes de travail et stérilisateurs) médecins, lampes, postes de travail et stérilisateurs)

CADRE DE GARANTIE Midmark Corporation (« Midmark ») s'engage auprès de l'acquéreur initial à réparer ou à remplacer, au gré de Midmark, les produits médicaux locaux et internationaux fabriqués par Midmark (hormis les composants non garantis en vertu des « Exclusions ») qui sont défectueux au niveau du matériel ou de la qualité d'exécution dans des conditions normales d'utilisation et de service. Le seul recours admissible aux termes de la présente garantie limitée est la réparation ou le remplacement des composants concernés, au gré de Midmark. La présente garantie limitée ne s'applique qu'aux défauts signalés à Midmark durant la période de garantie applicable et dont Midmark détermine après examen qu'ils existent. La présente garantie s'étend au seul acquéreur initial d'un produit et n'est ni transférable, ni cessible. Des composants ou produits de remplacement peuvent être utilisés, ou encore des composants ou produits rénovés, à condition qu'ils présentent une qualité et des spécifications identiques à celles des composants ou produits neufs.

Midmark s'engage auprès de l'acquéreur initial à réparer ou remplacer les logiciels contenus dans les produits fabriqués par Midmark (hormis ceux non garantis en vertu des « Exclusions ») pendant la période de garantie applicable si : (1) le support sur lequel le logiciel est fourni présente des défauts matériels ou d'exécution dans des conditions normales d'utilisation ; ou (2) le logiciel n'est pas fondamentalement conforme aux spécifications annoncées.

PÉRIODE DE GARANTIE APPLICABLE La période de garantie applicable est d'un (1) an pour tous les produits et composants couverts par la garantie, à compter de la date de facturation à l'acheteur au détail initial du produit. Les nettoyeurs à ultrasons QuickClean® sont garantis pour une période de trois (3) ans.

OBTENTION DU SERVICE DE GARANTIE Le service de garantie doit être mis en œuvre par Midmark ou un distributeur agréé de la ligne de produits de Midmark pour laquelle le service de garantie est requis. Les demandes ou questions liées au service de garantie Midmark peuvent être adressées par courrier électronique sur midmark.com ou par téléphone au +1.937.526.3662 ou par courrier à Midmark Corporation, 60 Vista Drive, Versailles, Ohio 45380. L'acquéreur a l'obligation de prendre ses dispositions auprès de Midmark ou de tout revendeur agréé pour mettre en place un service de garantie, service qui est à la charge de l'acquéreur. L'acquéreur est également dans l'obligation de se conformer aux instructions du service de garantie fourni par Midmark ou son distributeur agréé. L'acquéreur doit fournir à Midmark les renseignements relatifs à l'enregistrement de la garantie dans les trente (30) jours consécutifs à l'achat afin de pouvoir jouir de la garantie.

EXCLUSIONS : Midmark ne peut être tenu pour responsable des cas suivants, qui ne sont pas couverts par la garantie limitée :

- (1) les malfaçons, dommages ou autres conditions provoquées, en tout ou en partie, par une utilisation abusive ou incorrecte, une négligence, une modification, un accident, des dommages subis pendant le transport, une négligence dans l'entreposage, une altération ou une demande de réparation ou de remplacement hors délais ;
- (2) les produits qui ne sont pas installés, utilisés, nettoyés et entretenus correctement tel qu'exigé ou recommandé dans les guides « Installation » ou « Installation/Fonctionnement » de Midmark pour le produit concerné, y compris les conditions environnementales structurelles et opérationnelles et les exigences électriques ;
- (3) les produits considérés comme étant de nature consommable ou stérile ;
- (4) les accessoires ou pièces n'étant pas fabriqués par Midmark ;
- (5) les frais appliqués par quiconque pour des réglages, des réparations, des pièces de remplacement, l'installation ou toute autre tâche accomplie sur ou en rapport avec lesdits produits, qui ne sont pas expressément autorisés au préalable et par écrit par Midmark ;
- (6) les frais d'entretien et de nettoyage ordinaires ; et
- (7) les représentations et garanties données par toute autre personne ou entité que Midmark.
- (8) la correspondance de couleur, de grain ou de texture, hormis selon les normes commerciales acceptables ;
- (9) les changements de couleur causés par la lumière naturelle ou artificielle ;
- (10) les produits de fabrication sur mesure ;
- (11) les altérations ou modifications au produit par toute personne ou entité autre que Midmark ; et
- (12) les produits qui seraient sinon couverts par cette garantie limitée, mais qui ont été acquis : (i) auprès d'une personne ou d'un organisme autre que Midmark ou l'un de ses revendeurs agréés ; ou (ii) auprès d'un revendeur Midmark non autorisé à vendre le produit en cause sur le territoire géographique où se trouve l'acheteur ou non autorisé à vendre le produit en cause sur le marché médical.

LOGICIEL ; EN LIEN AVEC UN LOGICIEL QUI EST UN PRODUIT OU UN COMPOSANT D'UN PRODUIT, MIDMARK NE GARANTIT PAS QUE LE LOGICIEL : (1) EST EXEMPT D'ERREURS ; (2) PEUT ÊTRE UTILISÉ SANS PROBLÈME OU INTERRUPTION ; OU (3) EST EXEMPT DE VULNÉRABILITÉS AUX INTRUSIONS OU ATTAQUES DE VIRUS OU AUTRES PROCÉDÉS.

RECOURS EXCLUSIF ; AVIS DE NON-RESPONSABILITÉ POUR LES DOMMAGES INDIRECTS ; L'UNIQUE OBLIGATION DE MIDMARK DANS LE CADRE DE CETTE GARANTIE LIMITÉE EST LA RÉPARATION OU LE REMPLACEMENT DES PIÈCES DÉFECTUEUSES. MIDMARK NE PEUT ÊTRE TENU POUR RESPONSABLE ET DÉCLINE PAR LA PRÉSENTE TOUTE RESPONSABILITÉ POUR TOUT RETARD OU DOMMAGE DIRECT, PARTICULIER, INDIRECT, ACCIDENTEL, EXEMPLAIRE OU CONSÉCUTIF, Y COMPRIS, SANS S'Y LIMITER, LES DOMMAGES RELATIFS À UNE PERTE DE BÉNÉFICE OU DE REVENU, UNE PERTE D'USAGE, UNE PERTE DE DONNÉES, UN TEMPS D'INDISPONIBILITÉ, UNE COUVERTURE ET LES SALAIRES, PAIEMENTS ET AVANTAGES SOCIAUX D'EMPLOYÉS OU D'ENTREPRENEURS INDÉPENDANTS. CETTE EXCLUSION SURVIVRA À TOUT MANQUEMENT OU MANQUEMENT ALLÉGUÉ AU BUT ESSENTIEL DE CETTE GARANTIE LIMITÉE OU À SES RECOURS PRÉVUS. EXCLUSION DE GARANTIE : CETTE GARANTIE EST LA SEULE GARANTIE DE MIDMARK ET REMPLACE TOUTES LES AUTRES GARANTIES EXPLICITES OU IMPLICITES. MIDMARK N'ACCORDE AUCUNE GARANTIE IMPLICITE D'AUCUNE SORTE, Y COMPRIS LES GARANTIES IMPLICITES DE COMMERCIALISATION OU D'ADAPTATION POUR UNE UTILISATION PARTICULIÈRE. CETTE GARANTIE EST LIMITÉE À LA RÉPARATION OU AU REMPLACEMENT DE PIÈCES DÉFECTUEUSES.

PRESCRIPTION Aucune action ne peut être portée contre Midmark pour violation de la présente garantie limitée, d'une garantie implicite, le cas échéant, ou pour toute autre revendication découlant de ou relative aux produits, plus de quatre-vingt-dix (90) jours après expiration de la période de garantie limitée.

AUCUNE AUTORISATION Aucune personne ou société n'est autorisée à créer ou approuver d'autres obligations ou responsabilités pour Midmark en rapport avec les produits.

003-10025-99

Français - 27

© Midmark Corporation 2017

TP202 20-42-FO-00014 Rev A1 C2169

Shop tables & accessories at

Midmark Corporation

60 Vista Drive

Versailles, OH 45380 États-Unis

1.800.643.6275

+1.937.526.3662

www.midmark.com



TP202 20-42-FO-00014 Rev A1 C2169

Shop tables & accessories at