



OPERATION, CARE & MAINTENANCE

CABINET STYLE TREATMENT TABLES

Models: 8834, 9044, 9074 & 9105-30



Model 9074



Model 8834

Model 9044

Model 9105-30

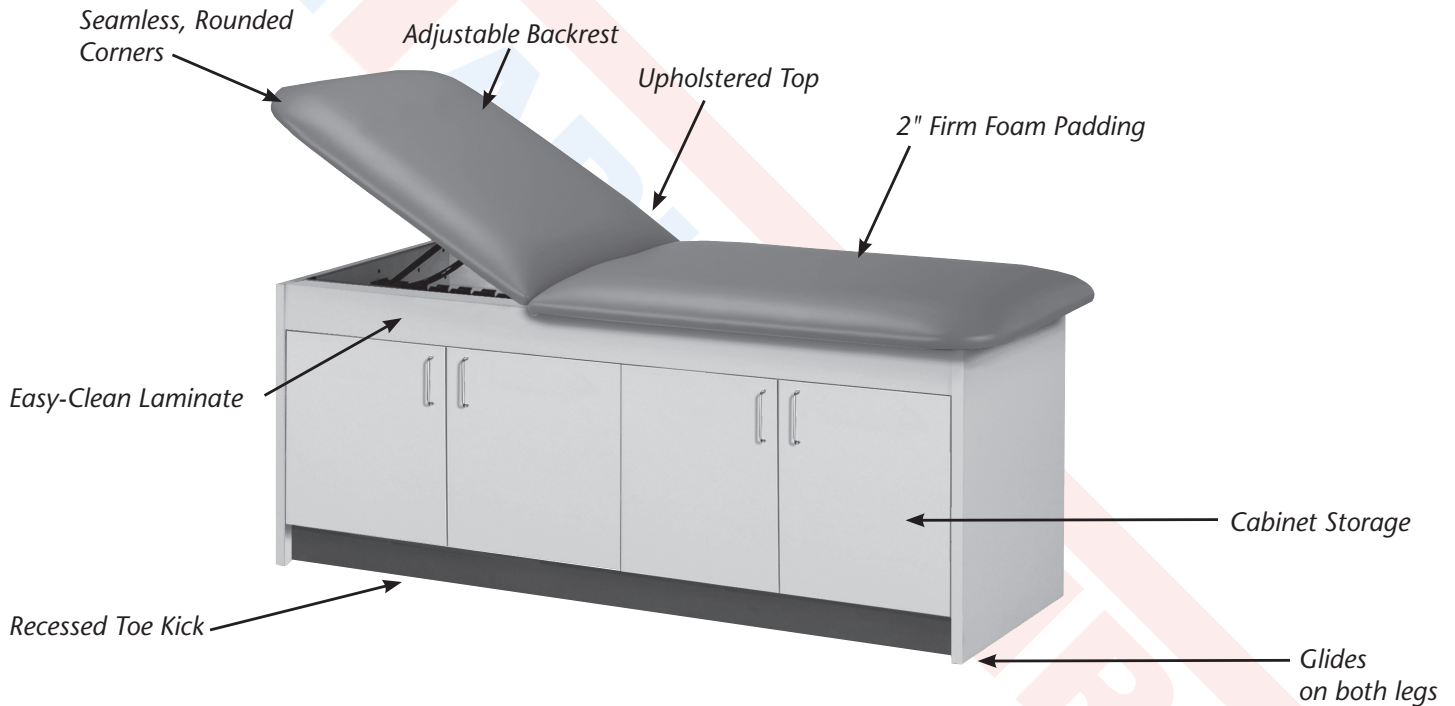
THANK YOU

Thank you, for selecting and purchasing fine Clinton equipment. We are proud to serve your medical equipment needs with products that deliver value and offer superior performance. Please read these instructions carefully to insure your Clinton products are used and operated according to specifications and that they are maintained to Clinton's recommendations.

SPECIFICATIONS

Models 9074, 9044 & 9105-30 have a load capacity of 425 lbs.

Model 8834 has a load capacity of 400 lbs



DIMENSIONS

	Length	Width	Height
9044-27	72"	27"	31"
9044-30	72"	30"	31"

	Length	Width	Height
9105-30	72"	30"	31"

	Length	Width	Height
9074-27	72"	27"	31"
9074-30	72"	30"	31"

	Length	Width	Height
8834	58"-72"	28.5"	31"

SET UP

1. Remove The table from all packing materials.
2. Position the table.
3. Make certain the table is level and stable.
4. Clean table with mild disinfectant according to Cleaning Guidelines below and your facility's specific standards.

USE

IMPORTANT: Cabinet Style Treatment Tables are intended for medical examinations and select procedures by professional medical and physical therapy personnel only. Patients should never be left on these tables unattended.

CLEANING GUIDELINES

Clinton uses only premium vinyl for upholstery, however, care should be taken when cleaning to ensure that the upholstery or color is not affected by the cleaning agent. Use only mild cleaning agents on upholstery. Clinton recommends using a 1 to 1 mix of ammonia and water or a 1 to 4 mix of bleach and water, rinse thoroughly with clean water and pat surface dry. This is not a guarantee and does not relieve the user from responsibility of the proper and safe use of all cleaning agents. Test on inconspicuous area prior to using any cleaning agent on upholstery's visible surface. Certain cleaning agents can be harmful to the surface.

Laminate may be cleaned with traditional disinfectant or antibacterial agents and a soft cloth. DO NOT use abrasive cleaners or abrasive cleaning implements to clean laminate. Test on inconspicuous area prior to using any cleaning agent on laminate surface. Certain cleaning agents can be harmful to the laminate surface.

EXAMINABLE TABLES DIRECT



800-441-9131 • 717-848-3519

Toll-Free Fax 866-522-1233

Fax 717-843-5871

www.clinton-ind.com