

# BrewerElement

## TREATMENT TABLE

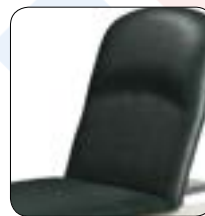
### The Brewer Element Treatment Table

offers fundamental features every practice needs. A robust steel frame construction ensures maximum stability and safety for patients while its contemporary design adds style to any healthcare facility. Ideal for basic examinations, pediatrics, orthopedics, physical therapy, industrial areas, and school nurse stations.



#### Sturdy Construction

- All steel frame construction
- Chip resistant powder coat finish
- Sturdy and robust, ensuring maximum stability and safety



#### Comfortable Upholstery

- Seamless, medicinal stain resistant
- Available in 15 standard colors
- Cal-133 fire code upholstery available
- Pillowtop models available



#### Customizable

- Three different types of tops
- Three different types of frames
- Nine total models to choose from
- Adjustable back models have six different positions



#### Large Optional Drawers

- Up to two optional drawers
- Dimensions: 19" L x 20" W
- Can be made left or right handed
- Space to accommodate up to six additional paper rolls

Brewer

Furnishing solutions for safe practices.

# BrewerElement

## TREATMENT TABLE

### Table Specifications

- 500 lb (226.8 kg) weight capacity
- Standard 3-year warranty
- All steel frame construction with chip resistant powder coated finishing
- Standard, concealed paper roll holder accepts 21" & 18" rolls (53.3 cm & 45.7 cm)
- Optional drawer models can be made left or right handed with space to accommodate six paper rolls
- Adjustable back models have six positions
- Two-piece top design ensures easy assembly, single person delivery, and freight savings
- Contoured, seamless upholstery for easy cleaning
- 2" (5.1 cm) thick foam for patient comfort
- 15 standard upholstery color options
- Cal-133 fire code compliant upholstery available in 4 colors
- Custom colors available

### Table Dimensions with Upholstery

- Height: 31" (78.7 cm)
- Length: 74" (187.9 cm)
- Width: 28" (71.1 cm)

### Optional Drawer Dimensions

- Length: 19" (48.3 cm)
- Width: 20" (50.8 cm)







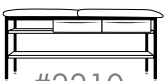


### Optional Shelf Dimensions

- Length: 65.75" (167 cm)
- Width: 18" (45.7 cm)



#2240 in Forest Green

### MODELS

	flat top	flat top adjustable	pillow top adjustable
basic frame	 #2010	 #2030	 #2040
frame w/shelf	 #2110	 #2130	 #2140
frame w/shelf & drawers	 #2210	 #2230	 #2240

### accessories

- #10196 table paper strap (qty 2)
- #100407 drawer dividers (drawer models only)

The Brewer Company is an ISO 13485:2003 certified company.

All Brewer Element Treatment Tables come with a 3-year warranty.

The Brewer Company reserves the right to improve or modify the design of its products consistent with new methods and techniques.

Call your local Brewer sales representative to learn about our complete product line.

The Brewer Company LLC  
N88W13901 Main Street, Menomonee Falls, WI 53051  
1.888.Brewer.1 | www.brewercompany.com

# Brewer