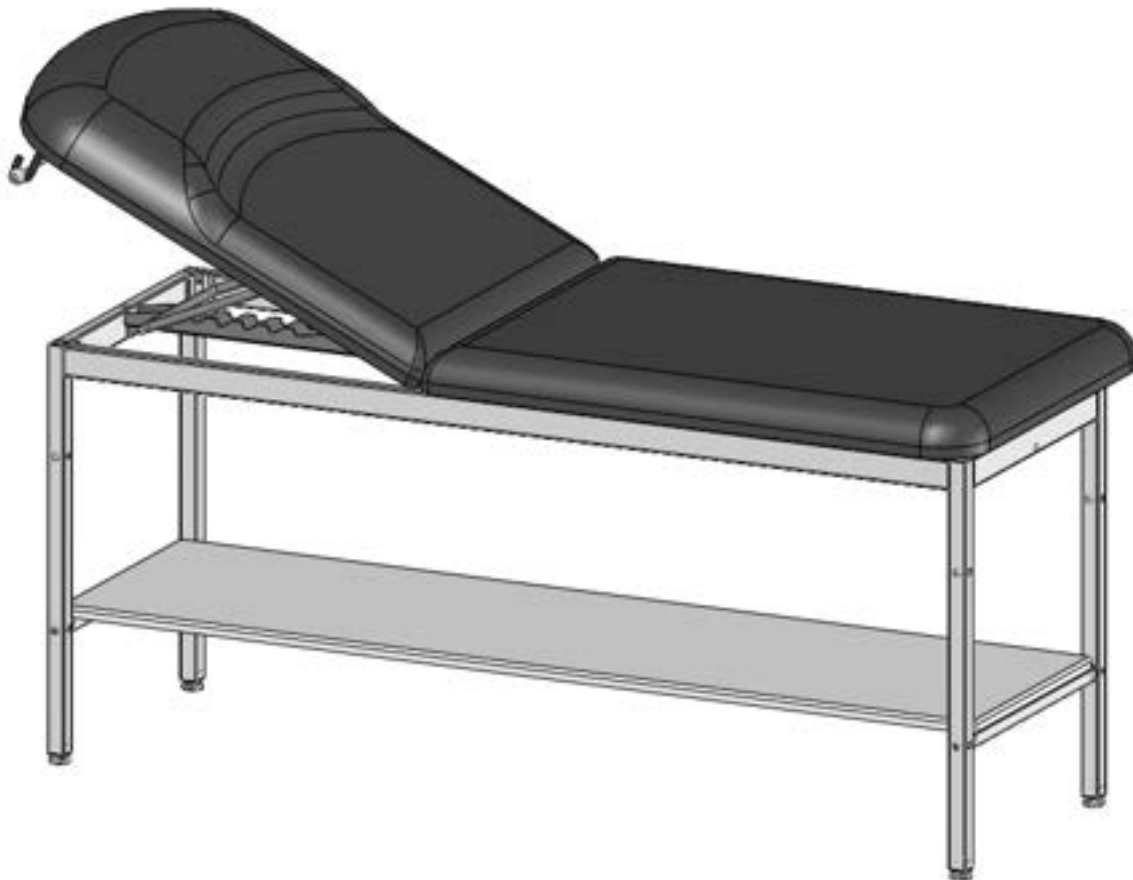


# BrewerElement

## TREATMENT TABLE

### Models 2130 and 2140



Overview .....	2	Operation .....	11
Tools Needed .....	2	Maintenance .....	12
Hardware.....	2	Accessories .....	12
Assembly.....	3-10	Limited Warranty .....	12
Installation.....	11		

**Brewer**  
more possibilities

The Brewer Company  
13901 Main Street  
Menomonee Falls, WI 53051  
P 1.888.Brewer.1  
F 262.251.1786  
[www.brewercompany.com](http://www.brewercompany.com)

## OVERVIEW

Perform the following sequence in order when setting up the table:

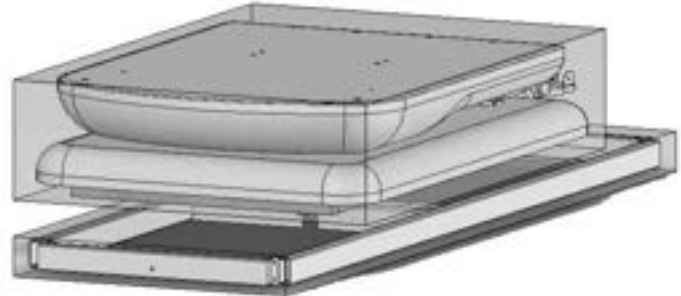
- Unpacking
- Assembly
- Leveling the Table
- Installing the Paper Roll

*NOTE: Save all packaging in case re-shipment is required.*

*NOTE: Inspect all boxes and contents for damage. Report any damage to the carrier immediately.*

## MODELS 2130 & 2140

For the above models you will receive two separate cartons: a frame carton, and an upholstery carton. Inspect both carefully for shipping incurred damage.



### ⚠ WARNING

Two or more people should assist in moving the table. Use proper lifting techniques when lifting. Failure to do so could result in serious injury!

### ⚠ CAUTION

To avoid damaging the table's upholstery or painted surfaces, DO NOT use a knife or any other sharp object to open the packaging.

## MODELS 2130 and 2140 TOOLS NEEDED

Rubber Mallet

9/16" Open End Wrench

Phillips Screw Driver

7/16" Socket or Wrench

## MODELS 2130 and 2140 HARDWARE

1/4"-20 x 1/2" Screw G (Qty 5)

1/4"-20 x 1" Screw F (Qty 8)

1/4"-20 x 1 1/4" Screw C (Qty 8)

1/4"-20 Nut H  
(Qty 6)

Snap Rivet (Qty 26)

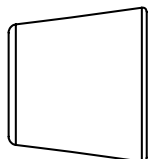
10-24 x 1 1/4" Screw D (Qty 2)

1/4"-20 x 2" Screw B (Qty 7)

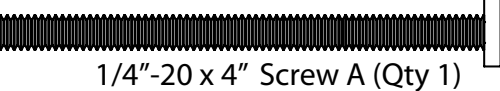
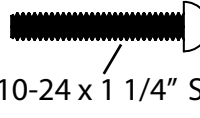
Washer M (Qty. 2)



Bumper (Qty 2)

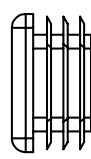


Cap (Qty 2)

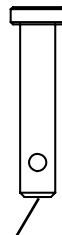


1/4"-20 x 4" Screw A (Qty 1)

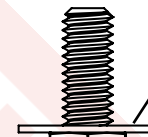
Allen Wrench (Qty. 1)



Clevis Pin (Qty 2)



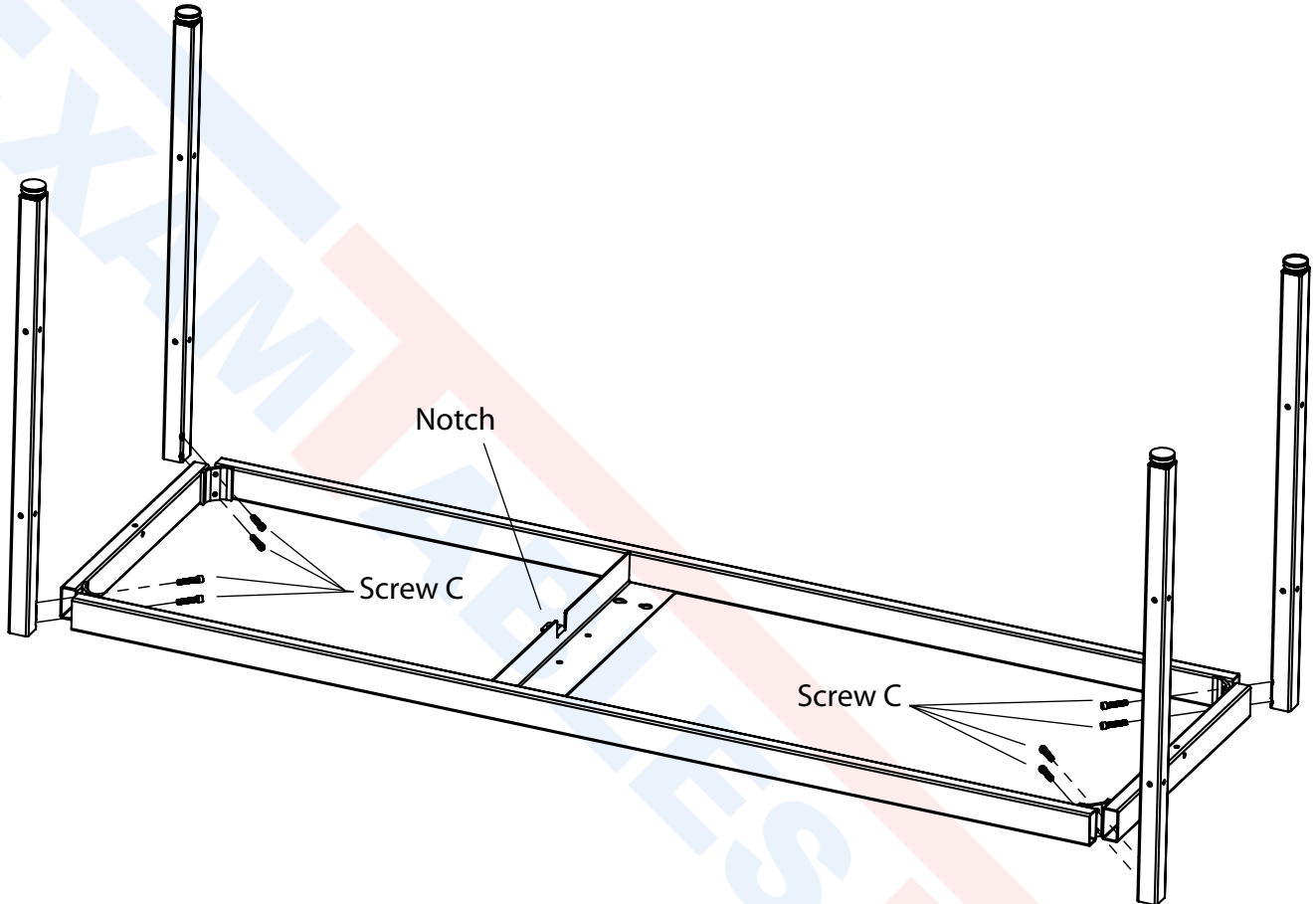
Cotter Pin (Qty 2)



3/8" Nut L (Qty. 2)

J-Bolt R (Qty. 2)

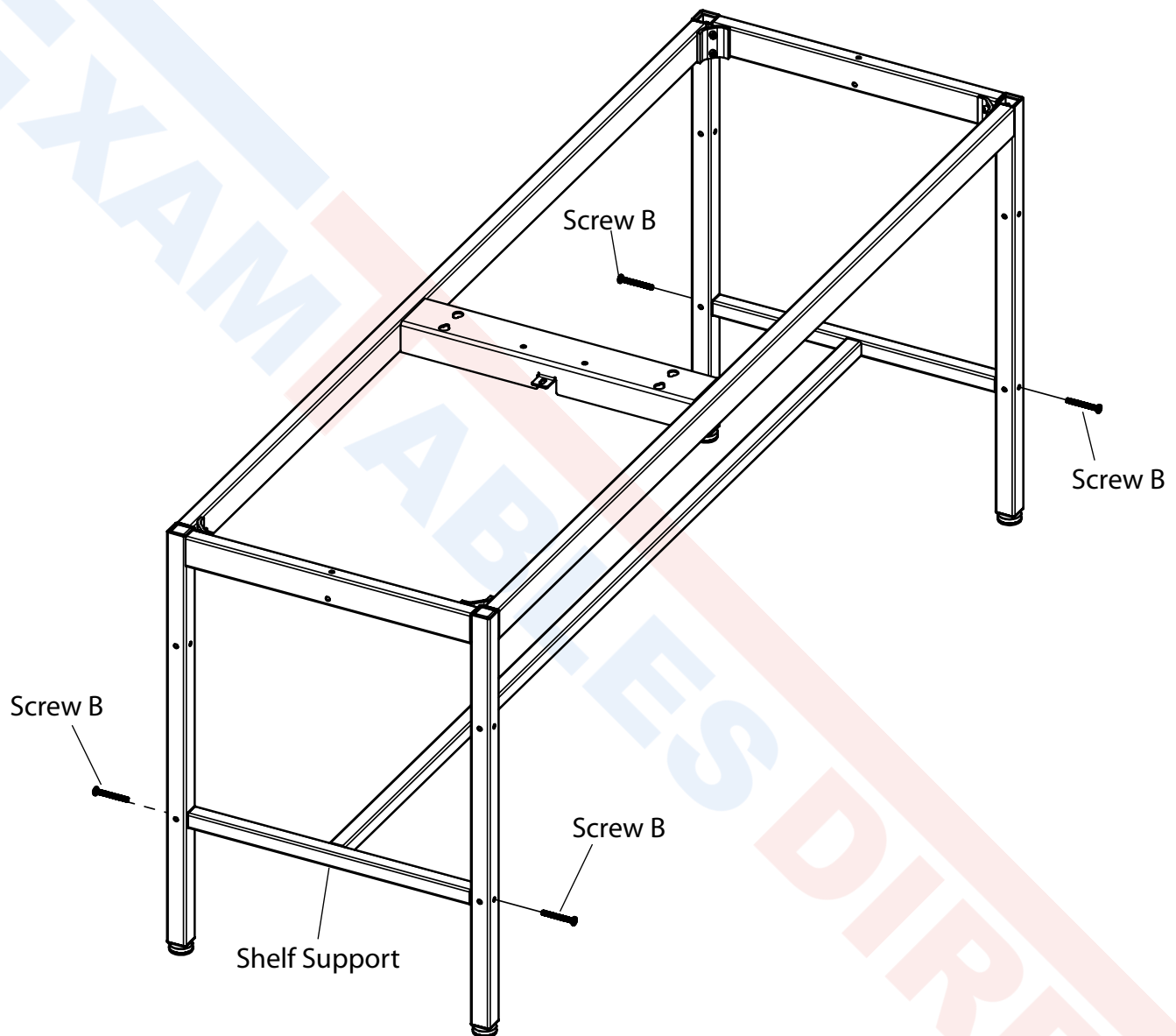
## MODELS 2130 and 2140 STEP 1



STEP A: Start with table frame inverted: note the position of the Notch in the drawing above is facing upwards.

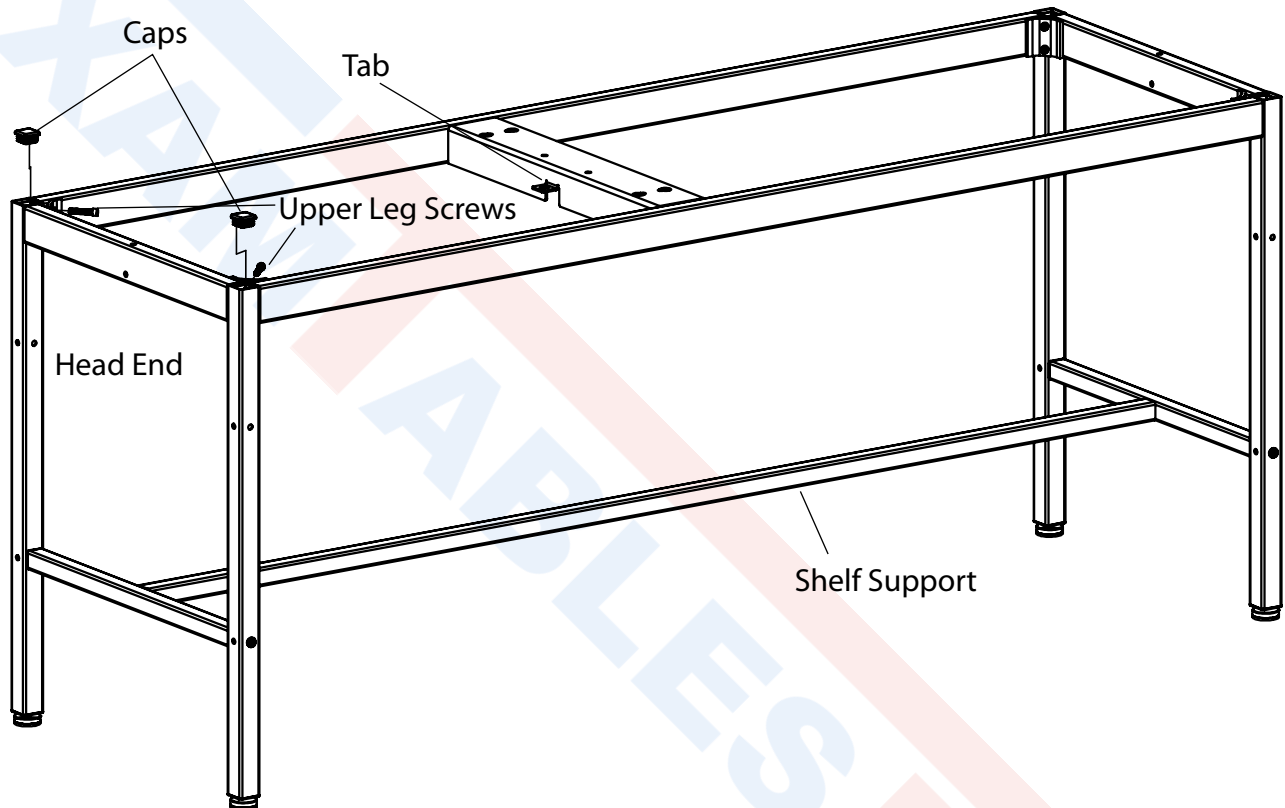
STEP B: Position legs (see drawing above). Insert Screws C (1/4"-20 x 1 1/4") and snug up by hand only at this time.

## MODEL 2130 and 2140 STEP 2



STEP A :With table in the upright position install Shelf Support using 4 Screws B (1/4"-20 x 2"). Do not tighten at this time.

## MODELS 2130 and 2140 STEP 3



STEP A: Remove 2 Upper Leg Screws at Head End of the Table, one on each of the two legs. (See illustration above.)

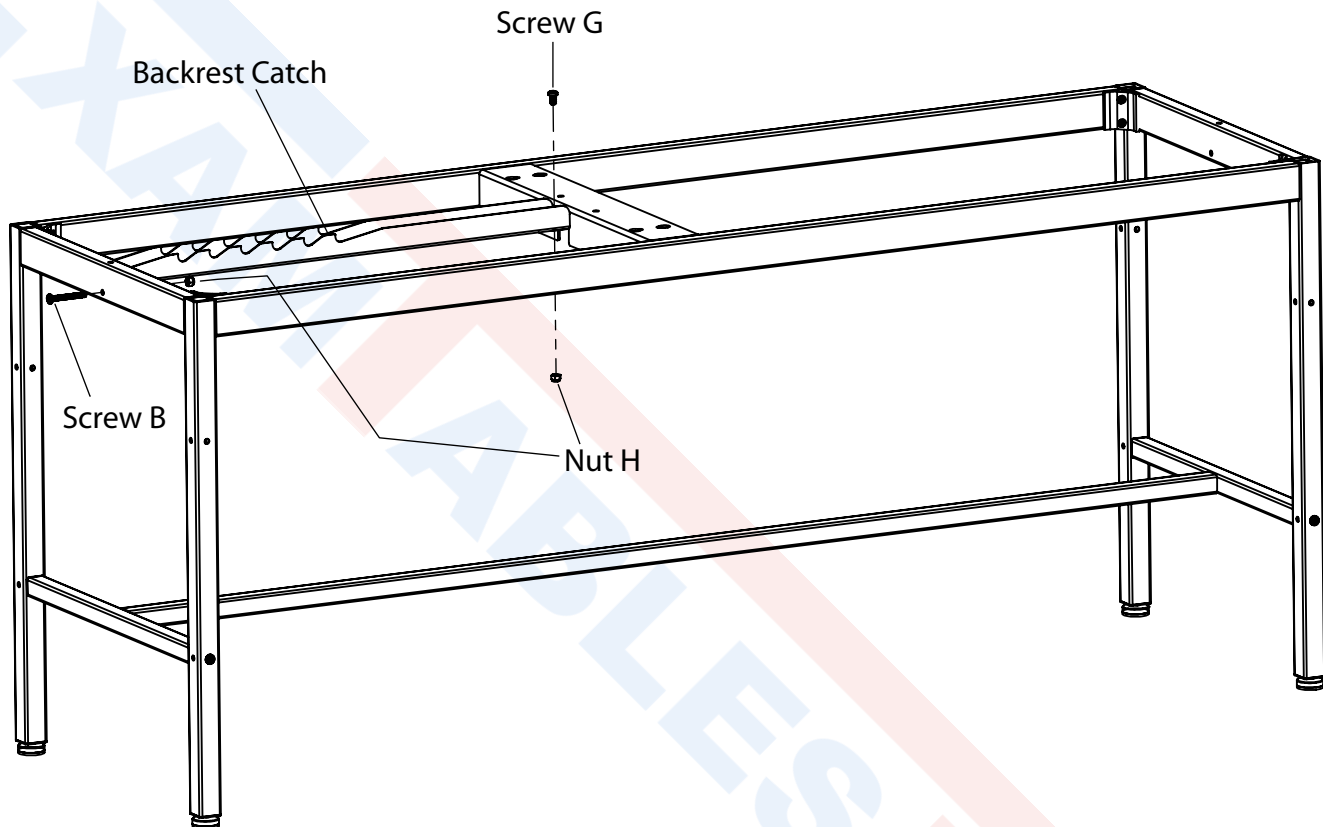
STEP B: Insert Caps into two leg tops and seat with a rubber mallet.

STEP C: Install Upper Leg Screws.

STEP D: **Tighten all screws at this time.**

- Legs to Frame (8 screws using Allen Wrench provided)
- Shelf Support to Legs (4 screws)

## MODELS 2130 and 2140 STEP 4

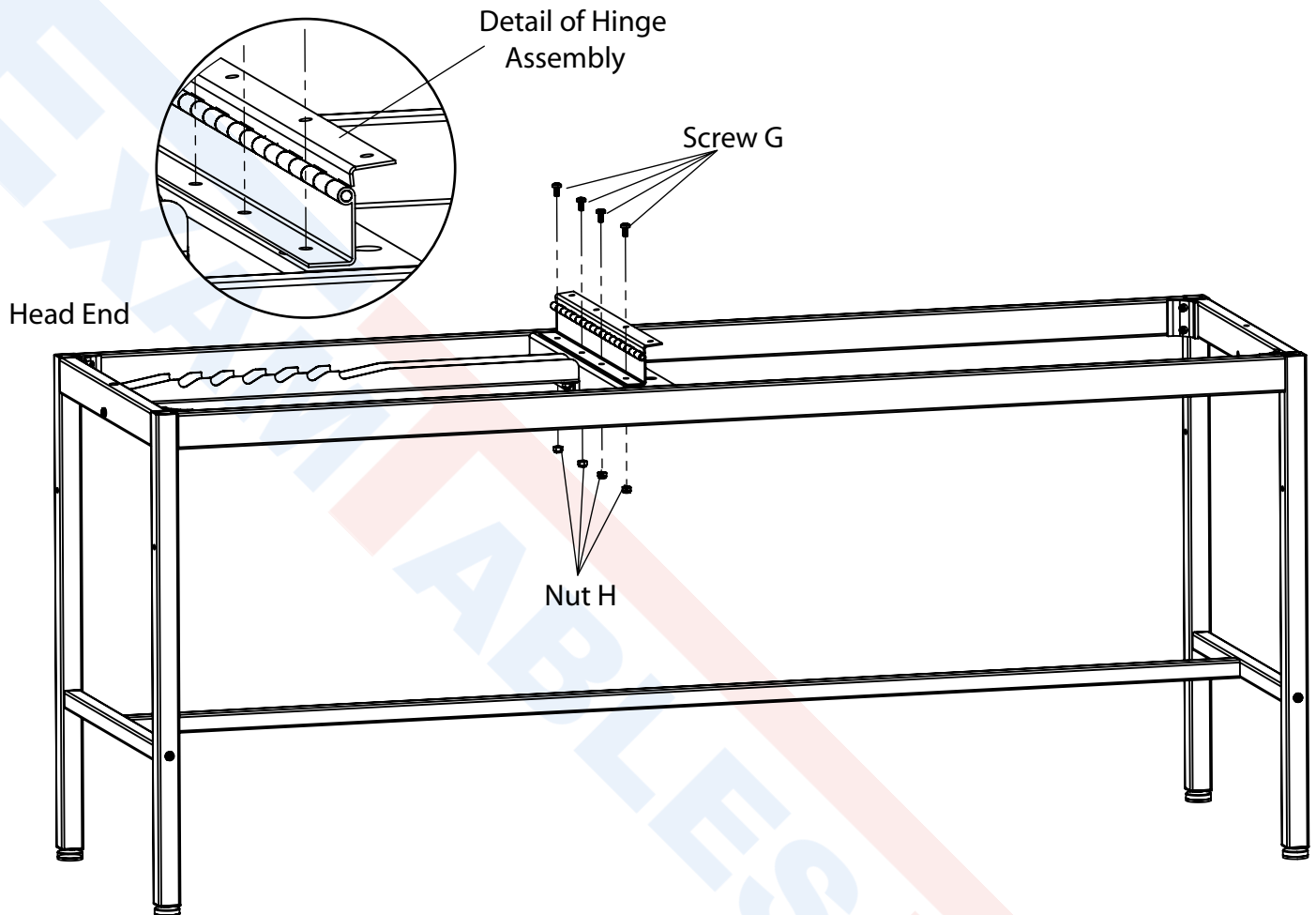


STEP A: Install Backrest Catch as shown in the drawing above.

**CAUTION** ⚠ The Backrest Catch needs to be positioned on top of the Tab shown in STEP 3.

STEP B: Install Screw B (1/4"-20 x 2") through frame rail and into Backrest Catch and tighten Nut H (1/4"-20). Insert Screw G (1/4"-20 x 1/2") through Backrest Catch and Tab. Tighten Nut H onto Screw G.

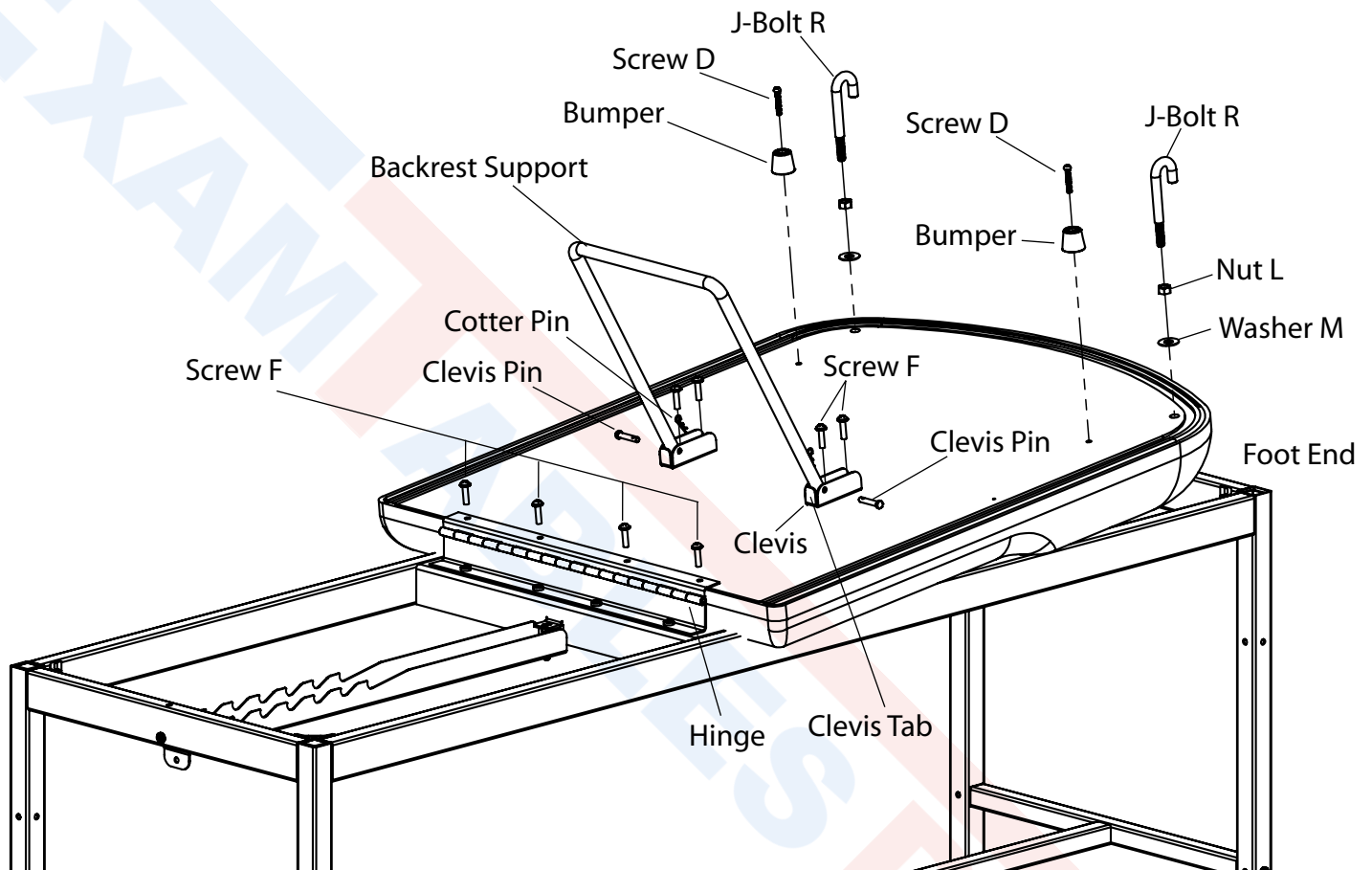
## MODELS 2130 and 2140 STEP 5



STEP A: Align holes in Hinge with holes in frame. Hinge must be oriented as shown with Hinge mounting flange facing the Head End of the table.

STEP B: Install 4 Screws G (1/4"-20 x 1/2") into the Hinge and through the frame. Fasten with 4 Nuts N (1/4"-20) and tighten.

## MODELS 2130 and 2140 STEP 6



STEP A: Lay upholstered backrest on Foot End of frame as shown.

STEP B: Slide backrest down until it bumps up against Hinge.

STEP C: Insert the four backrest-to-hinge Screws F (1/4"-20 x 1") and tighten.

STEP D: Insert Screws F (1/4"-20 x 1") through Clevises and tighten. Note Clevis Tab orientation.

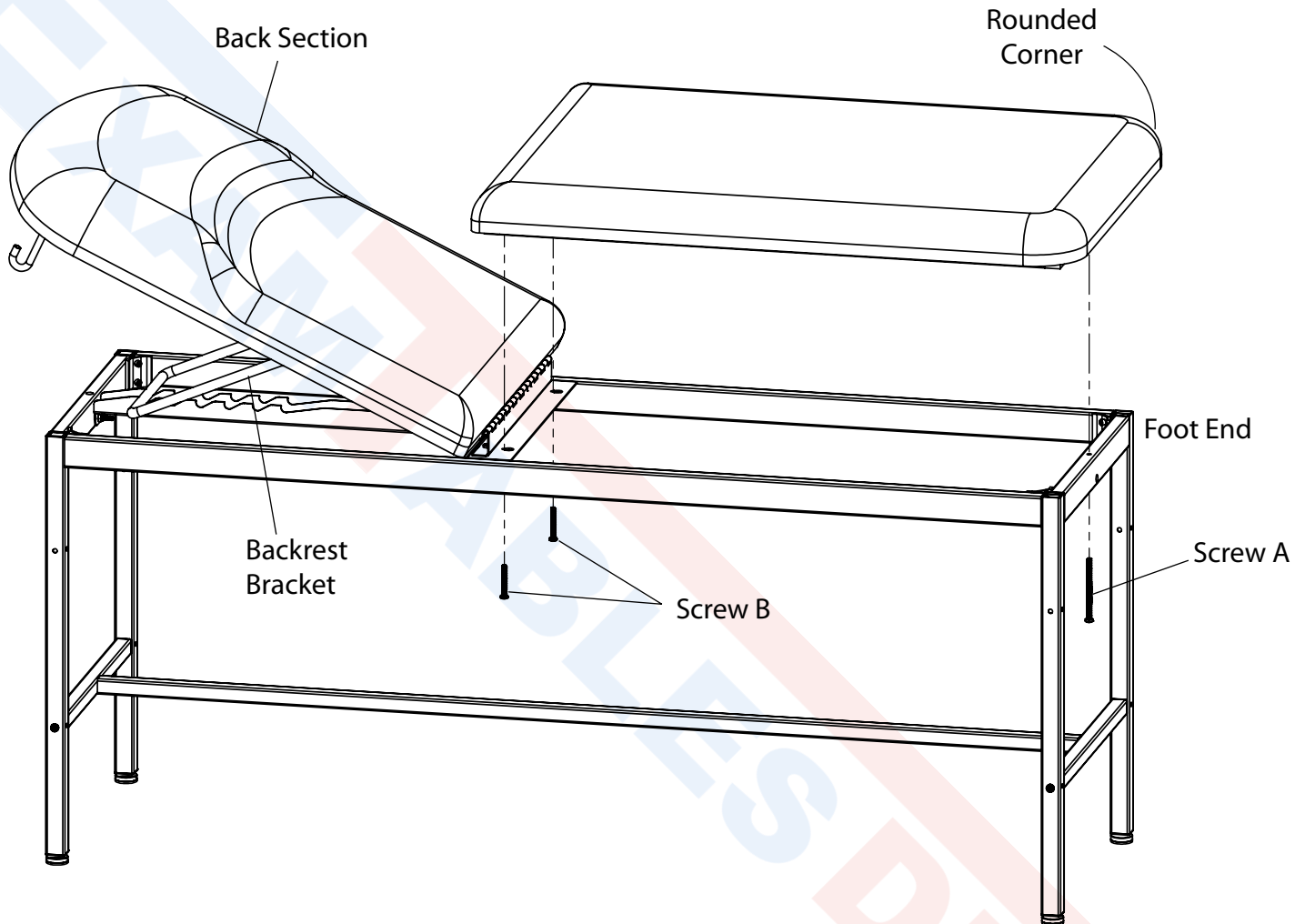
STEP E: Install Backrest Support with Clevis Pins and Cotter Pins.

STEP F: Insert Screws D (10-24 x 1 1/4") through Bumpers and tighten.

STEP G: Thread Nut L (3/8") completely onto J-Bolt R. Place Washer M onto J-Bolt and thread into backrest as shown. Position J-Bolt toward head end of table as shown and tighten nut against backrest.



## MODELS 2130 and 2140 STEP 7



STEP A: Rotate Back Section until Backrest Bracket is engaged or top is horizontal on frame.

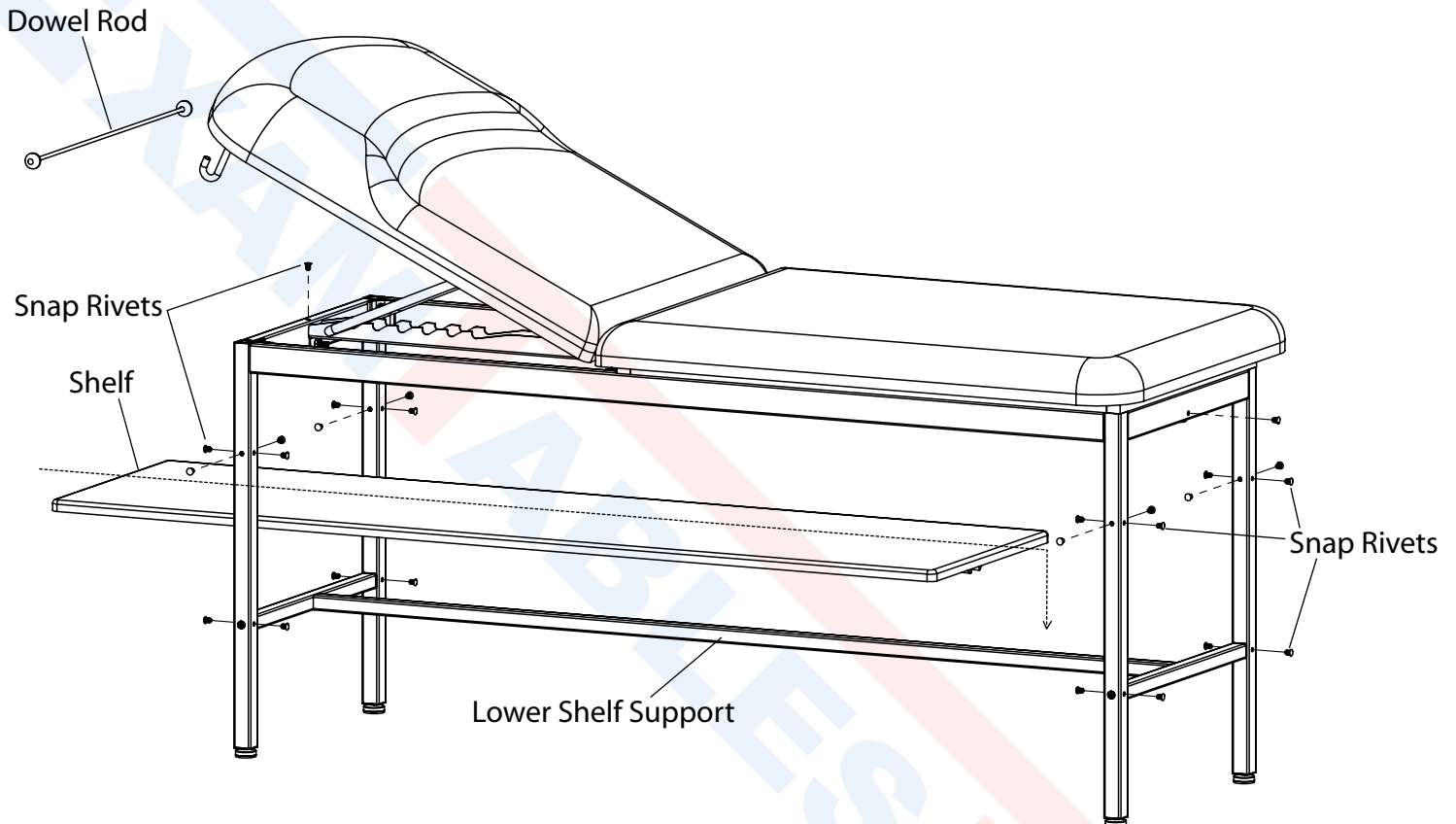
STEP B: Set upholstery bottom on frame, with Rounded Corners placed at the Foot End of the table.

STEP C: Install Screw A (1/4"-20 x 4") through frame and into upholstery.

STEP D: Install 2 Screws B (1/4"-20 x 2") through frame and into upholstery.

STEP E: Tighten Screws.

## MODELS 2130 and 2140 STEP 8



STEP A: Insert the Shelf through either end of the Table. Position the Shelf so that the locating blocks, on the bottom of the Shelf, are straddling the Lower Shelf Support.

STEP B: Install Snap Rivets into unused holes in legs and frame (see illustration above).

STEP C: Slide the Dowel Rod through the paper roll and hang the Dowel Rod on the J-Bolts. Ensure a secure fit before using the paper roll dispenser.

## INSTALLATION

### Leveling the Table

A Leveling Screw Pad is located at each corner under the table's base. Adjust the four Leveling Screw Pads, by turning them up or down, to achieve a solid, level installation.

Leveling Screw Pad

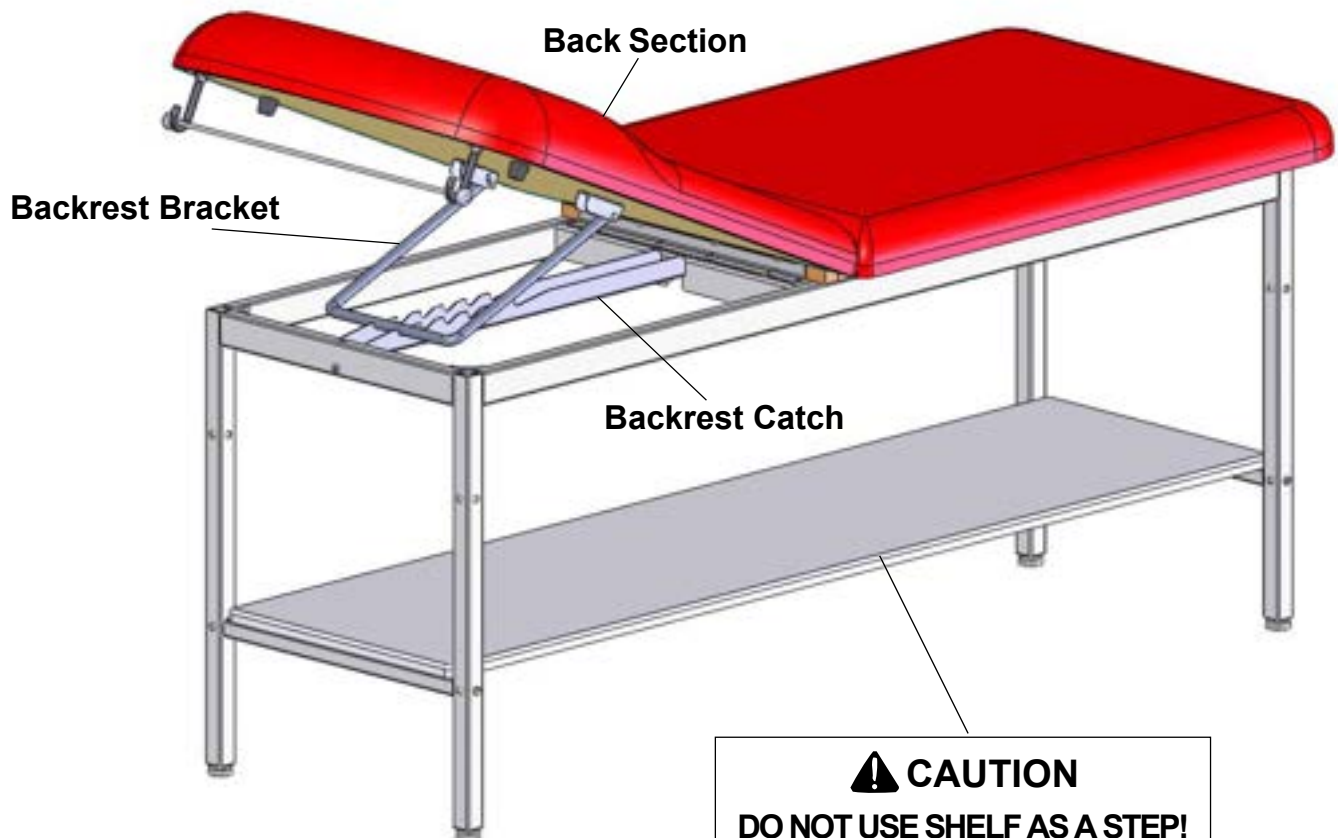


## OPERATION

### Back Section

**To Raise Back Section:** Lift Back Section of upholstery to desired inclination and secure Backrest Bracket into one of the six Backrest Catch slots.

**To Lower Back Section:** Lift Back Section of upholstery and lift Backrest Bracket out of the Backrest Catch while lowering the Back Section.



## MAINTENANCE

### Preventative Maintenance

- Inspect the mechanical functions to ensure satisfactory operation.
- Check fasteners to make sure they are present and secured tightly.

### Cleaning

#### Upholstery

Regular care should be maintained by daily wiping with a damp cloth or sponge and periodic cleaning with a mild soap and water solution. Let air dry before placing anything on top of upholstery.

#### WARNING

The upholstery material that covers the top of the table is resistant to most medicinal-type stains, but may be damaged by solvents and dyes. Remove any fluids which are spilled on the upholstery immediately. All surfaces should be cleaned within your facilities guidelines concerning antimicrobials and bloodborne pathogens.

### Painted Metal Surfaces

Wipe all painted metal surfaces with a clean cloth at least once a week.

## ACCESSORIES

Description	Reorder No.	Use/Restrictions
Replacement Upholstery	210115-XX 220115-XX	Intended Use - Replacement top with hardware for 2130 and 2140 Treatment Tables in 18 standard colors.
Special Upholstery	210115-SP 220115-SP	Intended Use - Allows the purchase of specialty vinyls in different colors with the model 2130 and 2140 Treatment Tables. (Additional charges may apply.)
Front Drawer Organizer	100407	Intended Use - Optional front drawer dividers for separation and organization.
Paper Straps	10196	Intended Use - Secures paper in two locations to table.

## LIMITED WARRANTY

### The Brewer Company GENERAL TERMS AND CONDITIONS

**Warranty:** The Brewer Company warrants its Treatment Tables to be free from defects in parts and workmanship under normal use and service for a period of (3) years from date of shipment. The Brewer Company will not be responsible for any Product failure due to abuse, misuse, modification, or improper use or for any use which exceeds the published capacity of the Product. Products returned by prepaid freight for inspection and found defective will, at the option of The Brewer Company, be repaired or replaced at no charge, but no claim for outside labor or other charges will be allowed. Products must not be returned without proper written authorization from The Brewer Company. Requests for authorization must be in writing and accompanied by the original purchase order, The Brewer Company invoice number and a copy of the invoice for the Product. THIS WARRANTY IS EXCLUSIVE AND IN LIEU OF ALL OTHER WARRANTIES AND REMEDIES WHATSOEVER, INCLUDING BUT NOT LIMITED TO IMPLIED WARRANTIES OF MERCHANTABILITY AND/OR FITNESS FOR A PARTICULAR PURPOSE. NO AGENT, EMPLOYEE, OR REPRESENTATIVE OF The Brewer Company HAS ANY AUTHORITY TO MAKE ANY AFFIRMATION, REPRESENTATION, OR WARRANTY NOT SET FORTH IN THESE TERMS AND CONDITIONS CONCERNING ANY PRODUCTS OF THE BREWER COMPANY. The Brewer Company SHALL HAVE NO LIABILITY WHATSOEVER FOR DAMAGES CAUSED BY TRANSPORTATION, ACCIDENTS, FIRE, UNAUTHORIZED ALTERATION, OR NORMAL WEAR OR ABUSE, NOR SHALL The Brewer Company HAVE ANY LIABILITY WHATSOEVER FOR ANY INCIDENTAL OR CONSEQUENTIAL DAMAGES, including without limitation, lost profits, or any such damages arising from (a) the design, manufacture, sale, delivery, installation, repair, operation, or use of products of The Brewer Company or any part thereof, (b) any actual or alleged failure or defect in products of The Brewer Company or any part thereof, or (c) any actual or alleged breach or non-performance by The Brewer Company of this limited warranty.

**Freight Claims:** Upon receipt, merchandise should be carefully examined to ascertain that proper amount has been received in good condition. Any claim for shortage or damage must be made with delivering carrier within five (5) days from receipt of goods. The Brewer Company does not assume any responsibility for loss or damage in transit, and compensation for such loss must be obtained from the carrier.