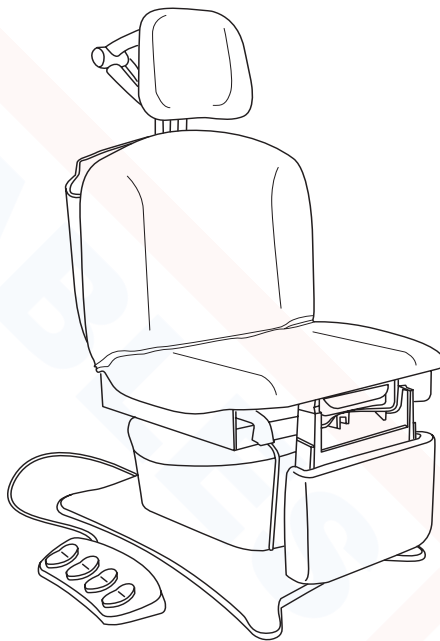


Brewer Assist PRO

POWER PROCEDURE TABLE

Model 7500

Installation & Operation Manual



<i>Important Information</i>	2	<i>Operation</i>	8
<i>Safety Information</i>	3	<i>Table Adjustments</i>	14
<i>Component Identification</i>	3	<i>Maintenance</i>	19
<i>Specifications</i>	4	<i>Warranty</i>	20
<i>Installation</i>	5	<i>Accessories</i>	20

The Brewer Company, LLC
N88 W13901 Main Street, Suite 100
Menomonee Falls, WI 53051
P 1.888.Brewer.1
F 262.251.2332
www.brewercompany.com

IMPORTANT INFORMATION

General

Read and understand all operating instructions, safety information, and maintenance requirements contained in this manual prior to operating the table. Become familiar with all of the table functions before using it with a patient.

The Brewer AssistPRO Power Procedure Table is designed to provide positioning and support of patients during general examinations conducted by qualified medical professionals.

The AssistPRO is primarily used in examination rooms for general examinations and minor procedures. The wide variety of positions provided by four powered motions, adjustable legrest, adjustable headrest, stirrups and treatment pan, create a safe and convenient patient positioning table for most examinations and procedures performed in the doctor's office.

The table is easily adjusted to a wide variety of positions using the convenient foot control or hand pendant provided with the table. The table height can be adjusted from 19" to 40". The table seating surface can be moved from the normal horizontal position to an angle of 30°. The backrest can be adjusted from a flat lying down position, to an 85° angle for seating. The legrest can be adjusted from a vertical position for seating, to a horizontal position for laying.

The AssistPRO is also capable of storing four preferred positions into the tables memory. Utilizing an intuitive two step programming method, the user can recall any programmed position with the touch of a button.

In addition to the electronically controlled positions noted above, several manual adjustments are available:

1. The legrest can be manually adjusted from a sitting to a kneeling position.
2. With the table in the horizontal position, the legrest can be extended an additional 5" for tall patients.
3. Stirrups may be manually extended and positioned infinitely within the lateral range of travel.
4. A removable treatment pan is stowed beneath the front of the seat and can be pulled out for use during examinations.
5. The headrest can be adjusted to a variety of patient positions using three clamp action locking levers.
6. The backrest incorporates a self-storing paper roll.

Service

If you require assistance with the installation or operation of your Brewer table, call the Brewer Customer Service Department at **(1-888-Brewer1)**. Our trained staff will attempt to assist you in correcting the problem directly over the phone. If service is required, a factory authorized technician will be sent to your location.

Please fill in the following information for use when calling the Brewer Company or your distributor with questions regarding your unit. See Figure 1 for model and serial number location.

Date of Purchase _____

Serial Number _____

Model Number _____

Authorized Dealer Name _____

Dealer Phone Number _____

Dealer Address _____

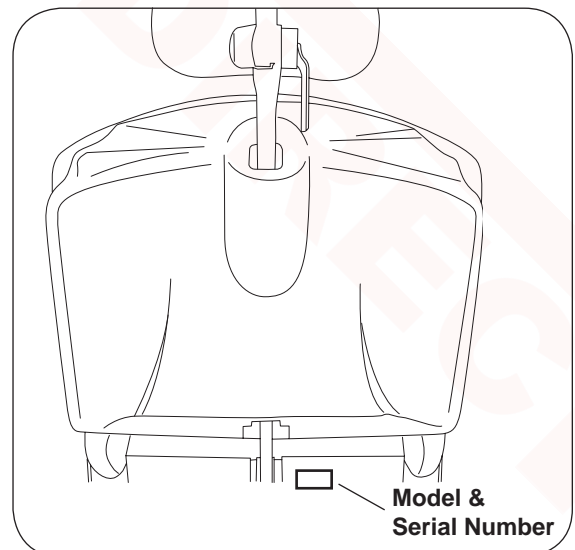


Figure 1. Model and Serial Number Location

SAFETY INFORMATION

Safety Information

The primary concern of The Brewer Company is that the equipment is operated and maintained with the safety of the patient and healthcare staff in mind. To ensure safe and reliable operation:

- Read and understand all instructions in this manual before attempting to install or operate the unit.
- Ensure that appropriate personnel are informed on the manual contents. This is the responsibility of the purchaser.
- Ensure that this manual is located near the table, or if possible permanently affixed to the table.



This is the safety alert symbol. It is used to alert you to potential physical injury hazards. Obey all safety messages that follow this symbol to avoid possible injury or death.



DANGER Indicates a hazardous situation that, if not avoided, will result in death or serious injury.



WARNING indicates a hazardous situation which, if not avoided, could result in death or serious injury.



CAUTION indicates a hazardous situation which, if not avoided, could result in minor or moderate injury.

COMPONENT IDENTIFICATION

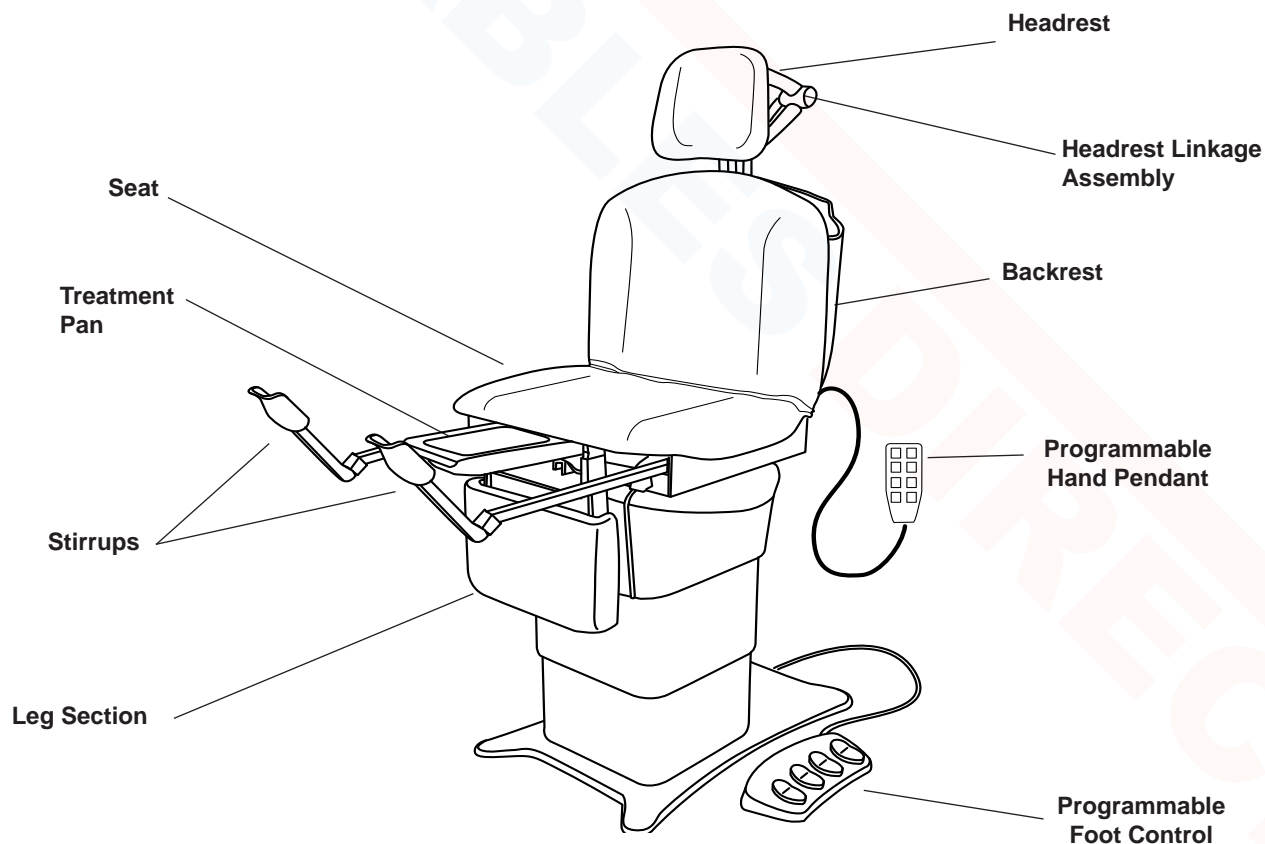


Figure 2. Component Overview

SPECIFICATIONS

Weight of Table550 lbs.

Load Rating (maximum)

- Seat/Back450 lbs.
- Legrest (Flat & Kneeling)450 lbs.
- Headrest100 lbs.

Back Section Range0° (horizontal) to +85° ± 5°

Table Top Height Range19 ± 0.5 in. to 40 ± 1.0 in.

Leg Section Range0° (horizontal) to 90° (vertical)

Table Top

Tilt Range 0° (horizontal) to +30° ± 5° (foot up)

Dimensions

- Upholstered Headrest 13 in. wide x 11 in. high
- Upholstered Top28.0 in. wide x 44.5 in. long
- Upholstered
Leg Rest16.5 in. wide x 11.25 in. high
- Overall Length69 in. long
- With Headrest/
Footrest Extended90 in. long

Electrical Rating

.....115 VAC nominal, 60 HZ, 5.8 amps maximum

Duty Cycle (10%)

..... 2 minutes on / 18 minutes off (motor run time)

Power Cord

- Length.....Extends 70in. (Minimum) from table.
- Type.....Detachable
- Conductors.....18 AWG / 3 conductor
- Grade.....Hospital Grade Plug

Type of protection against electrical shock

Class.....Class 1 Grounded

Patient Applied Parts.....Type B

Type of protection against ingress of water

- Table.....Ordinary
- Foot Control.....IPX1

Paper Roll Sizes

- Regular.....18 in. x 3.5 in.
- Long.....21 in. x 3.5 in.

Certifications*UL60601-1; CAN-CSA C22.2 No. 601.1

Operating Conditions

- Temperature Range.....65°F to 85°F
- Humidity Range.....10% to 90%

Transportation and Storage

- Temperature Range.....-20°F to 85°F
- Humidity Range.....10% to 90%



*Classified in the United States and Canada per the standards listed above.

⚠ WARNING	
	<p>Explosion/Fire Hazard</p> <p>Do not use this table in an explosive or oxygen rich atmosphere. Failure to do so may result in serious personal injury or death.</p>

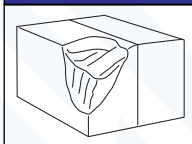
⚠ WARNING	
	<p>Shock Hazard</p> <p>When performing cauterization or similar treatment, the patient must be insulated from the metal portions of the table by non-conductive material. Failure to do so may result in electrical shock.</p>

NOTICE
<p>Certifications</p> <p>This product has been evaluated with respect to electrical shock, fire, and mechanical hazards only in accordance with UL60601-1; CAN/CSA C22.2 No. 601.1</p>

NOTICE
<p>Electromagnetic Interference (EMI)</p> <p>This product is designed and built to minimize electromagnetic interference with other devices; however, if interference is noticed between another device and this product, remove the interfering device from the room or plug this product into an isolated circuit.</p>

INSTALLATION

NOTICE



Inspect Carton and Contents

Inspect all boxes and contents for damage. Report any damage to the carrier immediately.

NOTICE



No Sharp Tools

To avoid damaging the table's upholstery or painted surfaces, DO NOT use a knife or other sharp object to open the packaging.

Overview

Perform the following sequence in order when setting up the table:

- Uncrating
- Leveling the Table
- Installing the Power Cord
- Installing the Foot Control
- Installing the Hand Pendant

NOTICE

Optimum Table Performance

For optimum table performance, allow the table to reach room temperature before operating.

Uncrating

1. Using a 1/2" open-end wrench, or socket, unbolt the table from the wooden shipping skid by removing the four bolts located underneath the table's base; two on each side.

NOTICE

Table weight up to approximately 550 lbs.

2. Remove the table from the shipping skid by sliding it off the front of the skid. Be sure to lift at the correct points as indicated in Figure 3. Position the table in the desired room location.
3. Remove packing tape from stirrups (Figure 4). Pull out treatment pan slide and remove packing tape from the treatment pan assembly components. Return treatment pan slide to its stowed position.

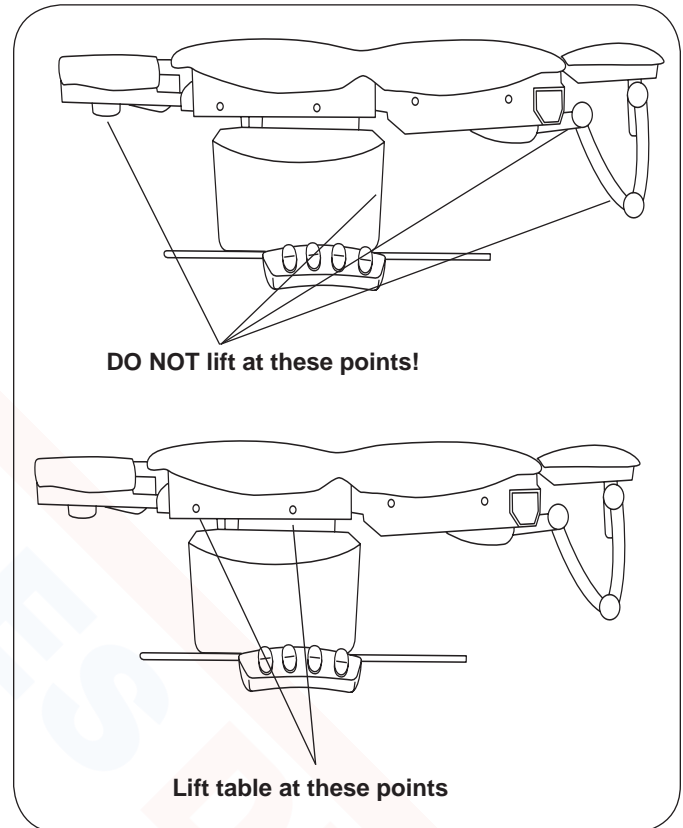


Figure 3. Table Lift Points

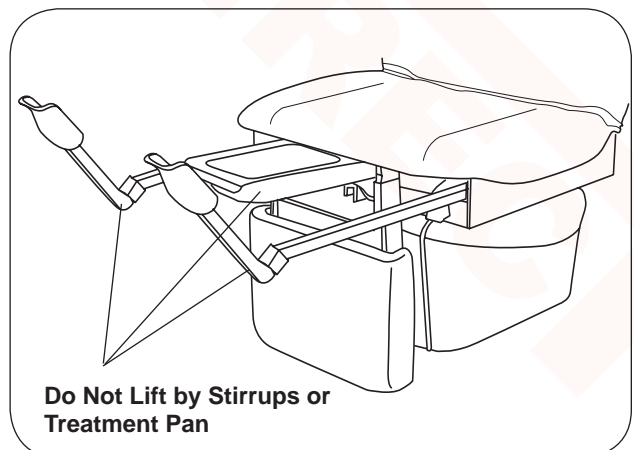


Figure 4. Stirrups and Treatment Pan

INSTALLATION (CONTINUED)

Leveling the Table

A leveling screw pad (Figure 5) is located in four places under the table's base. Adjust the leveling pads to achieve a solid, level installation.

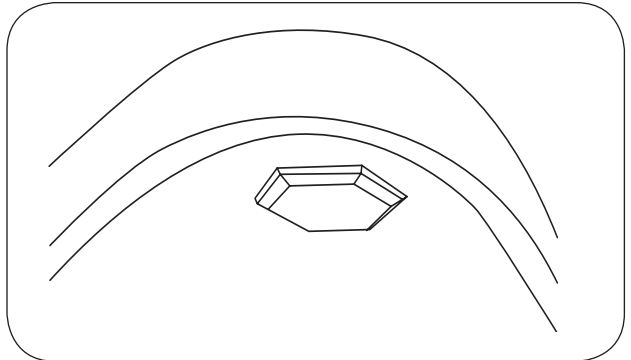


Figure 5. Leveling Screw Pad (located under table)

NOTICE

Prevent Leveler Damage

Levelers must remain in the table and be fully engaged a minimum of (3) turns. If levelers are not fully engaged in the base, damage to the threading in the base and/or leveler can occur.

Installing the Power Cord

1. Remove the power cord from the shipping box.

NOTICE

Confirm Voltage and Plug Type

See Specifications Page for electrical rating of this unit. The three-pronged grounding plug on the table power cord must be plugged into a matching three-pronged, grounded, non-isolated, correctly polarized 115 VAC receptacle.

2. Plug the female end of the power cord into the receptacle on the table (Figure 6). Make sure the plug end shape is correctly oriented to the receptacle shape. Plug the male end of the power cord into a 115 Volt grounded receptacle.

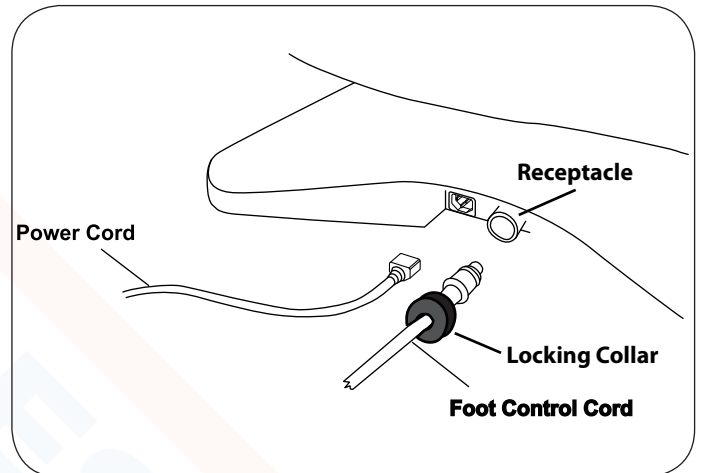


Figure 6. Power Cord & Foot Control Cord Receptacles

Installing the Foot Control

1. Remove the foot control from the shipping box.
2. Insert the cord into the foot control receptacle on the table (Figure 6). Make sure the tab on the plug is aligned with the groove in the receptacle, and the plug is fully seated.
3. Thread the locking collar onto the receptacle.
4. Make sure the Controls On/Off switch located on the backrest shroud is turned to the "ON" position. See Figure 7.



Figure 7

Foot Control and Hand Pendant On/Off switch

INSTALLATION (CONTINUED)

Installing the Hand Pendant

1. Remove the hand pendant from the shipping bag.
2. Insert the cord into the hand pendant receptacle on the backrest shroud. (Figure 8). Make sure the tab on the plug is aligned with the groove in the receptacle, and plug is fully seated.
3. Thread the locking collar onto the receptacle.

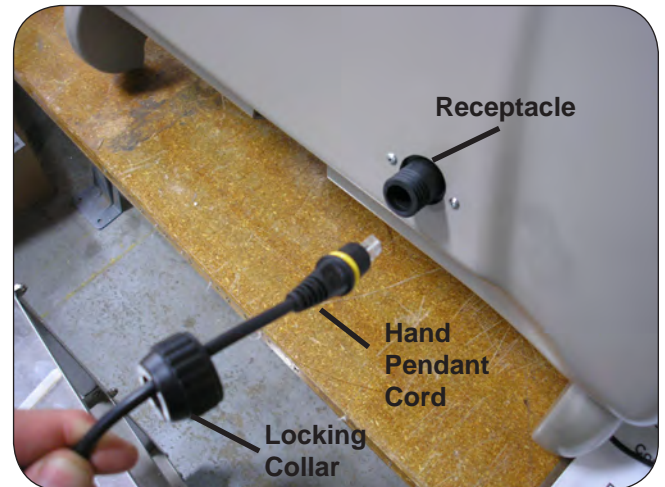


Figure 8

NOTICE

The foot control and hand pendant are moisture resistant and run on low voltage. To avoid temporary or permanent damage to the controls, do not immerse in water or liquids.

Power On/Off switches

1. The table is equipped with two On/Off switches that disrupt the main power to the table.
2. The switches are located on the upper left and right hand sides of the backrest shroud. See Figure 9.
3. In the “On” position the switch is lighted green. Both switches must be in the On, lighted position for the table to operate.



Figure 9

WARNING



Shock Hazard

After installing or moving table, make sure there are no damaged or exposed wires that could result in electrical shock.

OPERATION

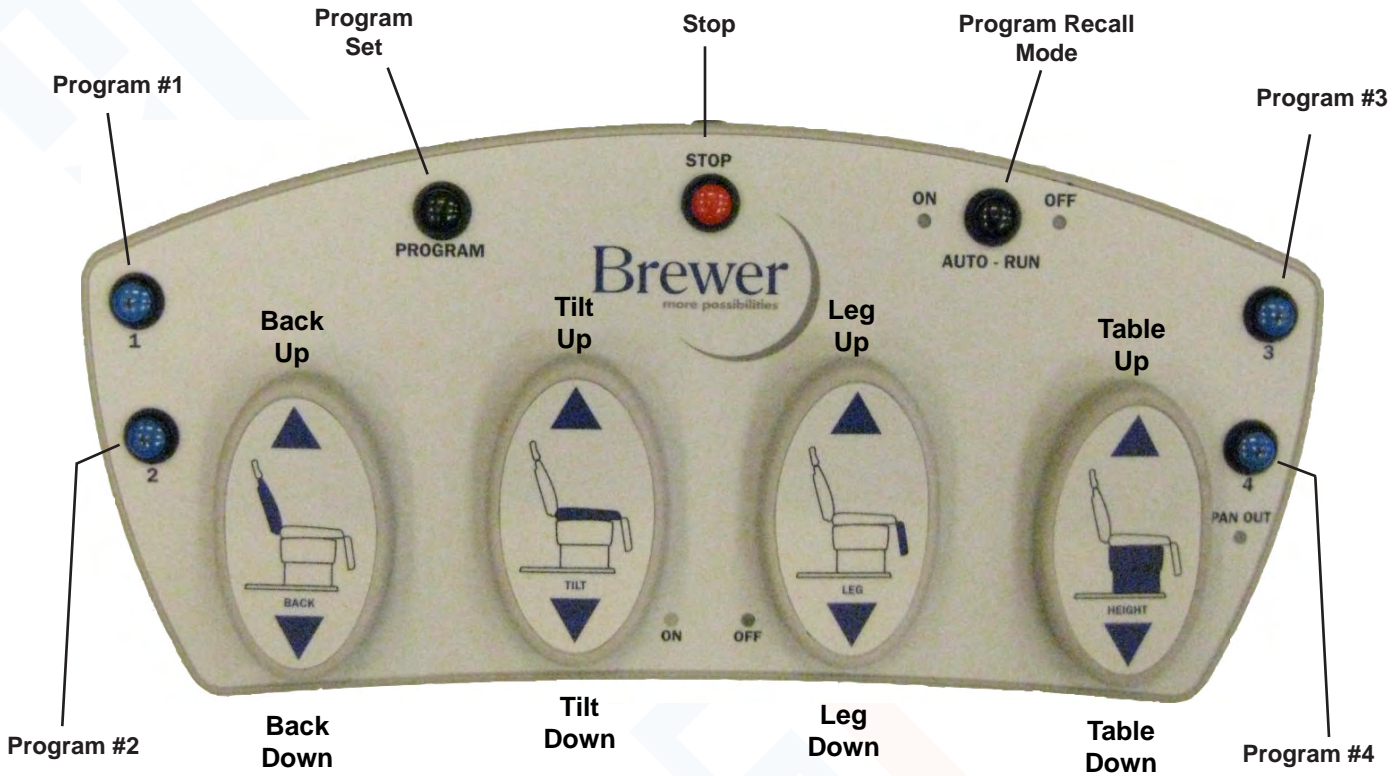


Figure 10

Controls

1. See Figure 10 for the pedal and button identifications on the foot control
2. See Figure 11 for the button identifications on the hand pendant

NOTICE
Unintended Operation
To avoid accidental operation, keep foreign objects away from controls. Be sure the controls are not positioned below the legrest or headrest linkage.

OPERATION (CONTINUED)

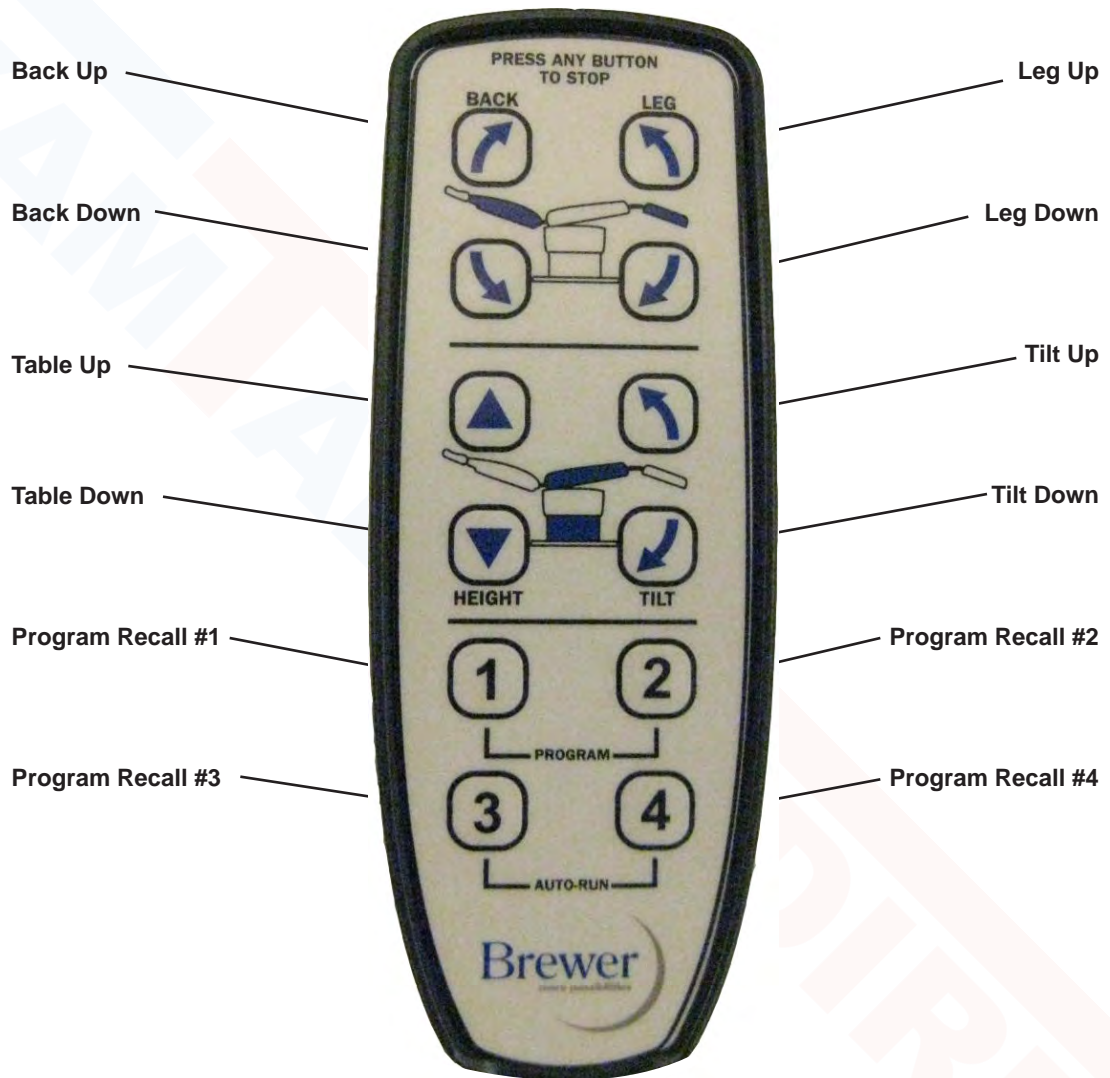


Figure 11

OPERATION (CONTINUED)

Treatment Pan

1. To expose the treatment pan for use, grasp the tray handle and pull until tray is fully extended (Figure 11).
2. The pan can be easily removed for cleaning with the tray fully extended. Fully seat pan into tray when clean.
3. Push the tray handle as far in as it will go to fully stow the treatment pan after use. A light clicking sound will be heard just before the pan reaches its fully stowed position. (The light clicking sound is created by a switch that allows the legrest to move upward).

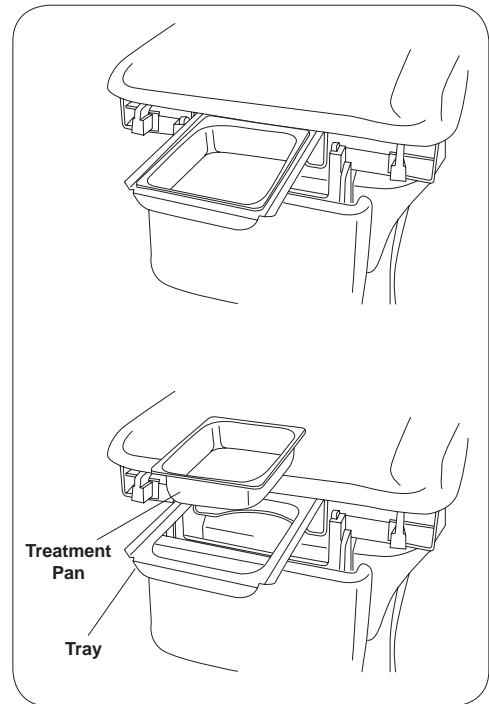


Figure 11. Treatment Pan

Headrest Positions

1. To move the headrest, rotate the three handles to their open position. Move the headrest to its desired location. Rotate the 3 handles to their locked position as shown in Figure 12.
2. Each section of the headrest can be adjusted independently by rotating the handle to the open position, moving the desired section, and then rotating the handle to the closed position.

NOTE: Make sure all three handles are locked. A handle is locked correctly when it is pushed past center and the force of the clamping action pulls the handle into the locked position and holds it there.

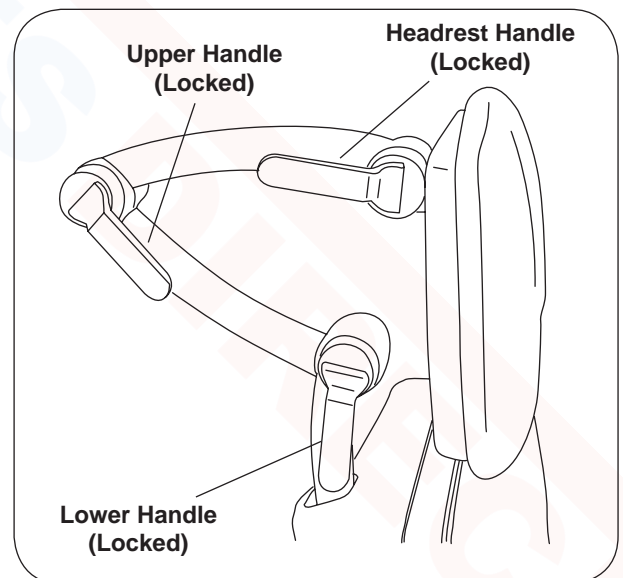


Figure 12. Headrest Handles

CAUTION

Make sure headrest is securely locked into position before use. Failure to have the three handles correctly locked could result in headrest falling during a procedure which could result in serious personal injury.

OPERATION (CONTINUED)

Legrest Extension

In the horizontal position, the legrest can be extended 5" to increase the overall length of the table (Figure 13).

Lift up on the legrest and pull outward to extend the legrest. To return the legrest to the shortest position, lift up on the legrest and push fully inward.

NOTICE

To prevent damage to the unit, the legrest must be returned to the shortest position prior to lowering the legrest to the vertical position.

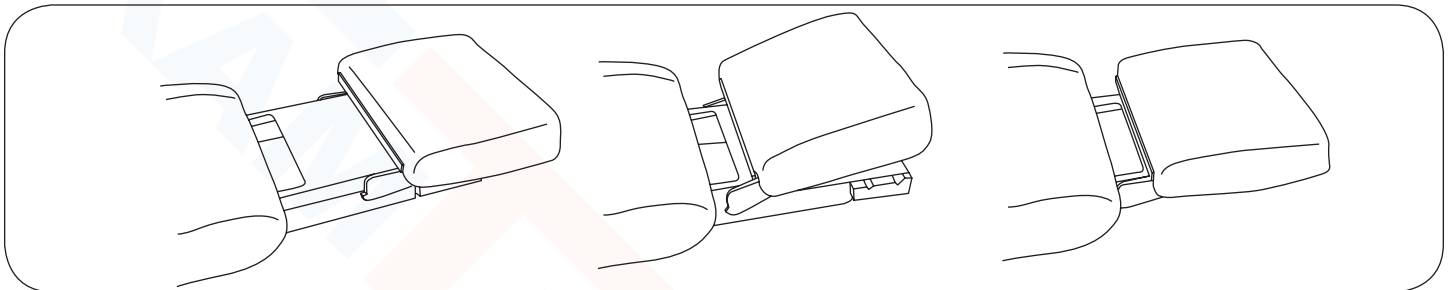


Figure 13. Legrest Extension

Legrest Kneeling Position

The legrest can be rotated to a kneeling position (Figure 14).

1. Grasp the legrest cushion on both sides.
2. Rotate the cushion upward until rotation stops.
3. Slide the legrest downward and rotate the cushion downward to engage the stop. Two height positions are provided.

NOTICE

Make Sure Legrest is Engaged with Stops

Make sure the legrest cushion is fully engaged with the stops on both sides. When properly engaged, the legrest cushion is parallel to the ground.

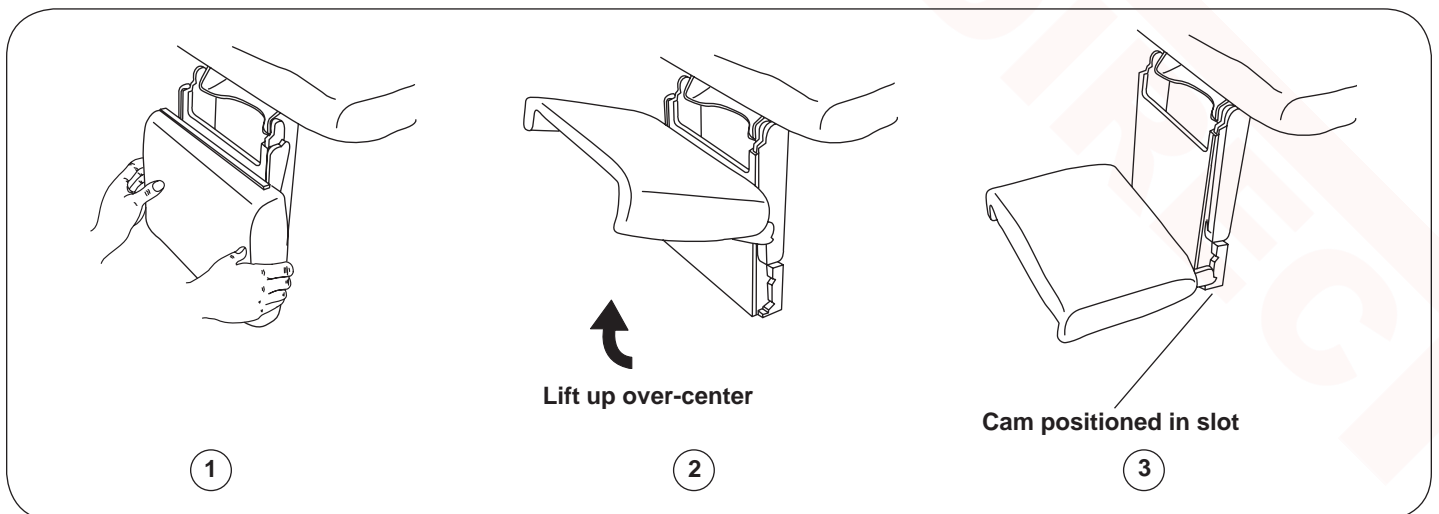


Figure 14. Legrest Kneeling Position

OPERATION (CONTINUED)

Adjustable Stirrups

OPERATING THE STIRRUPS

1. To operate the stirrups, grasp end of stirrup and pull straight out of the table. Lift up slightly while sliding the stirrup out (Figure 15).

NOTE: Applying any downward pressure when pulling stirrup from table may make it difficult to move. Resistance is normal and is part of the stirrup friction locking mechanism

2. Unfold stirrup upward to the fully open position.
3. Adjust the stirrup to the desired length by sliding it in or out.

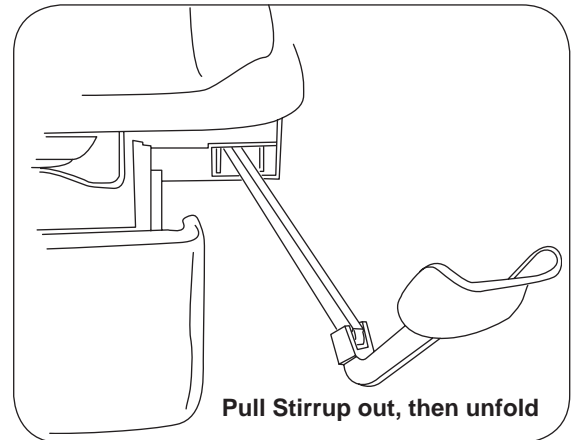


Figure 15. Operating the Stirrups

STIRRUP LATERAL ADJUSTMENT

1. Lift end of stirrup and then rotate outward to desired position (Figure 16).
2. When the desired position is achieved, lower the stirrup to engage the lateral locking mechanism.
3. Check that lateral locking mechanism is engaged by attempting to rotate stirrup assembly without lifting on the stirrup end.

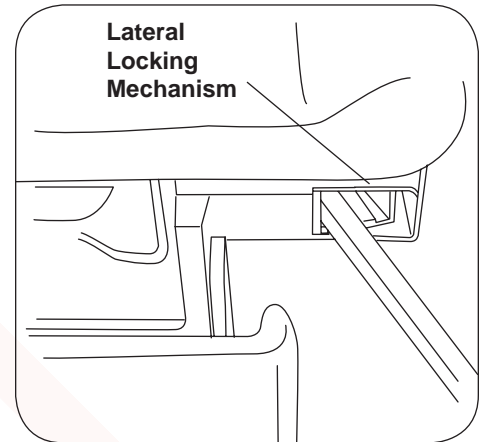


Figure 16. Stirrup Lateral Adjustment

STORING THE STIRRUPS

1. To store the stirrups in the table, grasp end of stirrup and pull straight out to its full extension (Figure 17).
2. Fold stirrup down against bar, then rotate it to the inner most lateral position and slide it back into the stowed position.

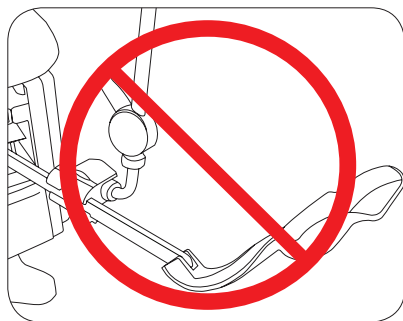


Figure 18. Affix No Attachments!

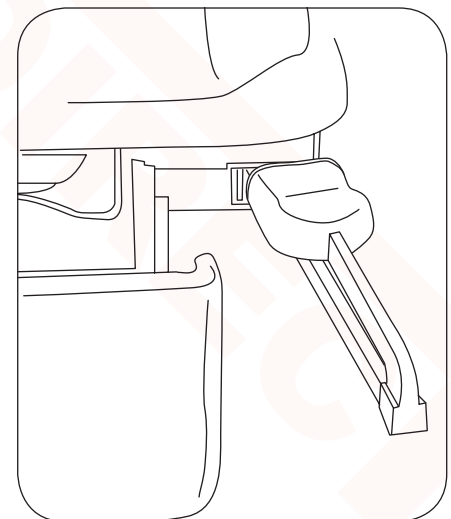


Figure 17. Storing the Stirrups

NOTICE

Use Stirrup Only as Designed

Do not use any part of the stirrup for attachment of any device (Figure 18). Warranty will be voided. If knee crutches are required for use, order mounting adapters, clamps, and rails shown in the Accessories Section.

OPERATION (CONTINUED)

Paper Roll

To change a paper roll, insert the paper through the slot in the backrest shrouding and set the paper roll in the holder (Figure 19).

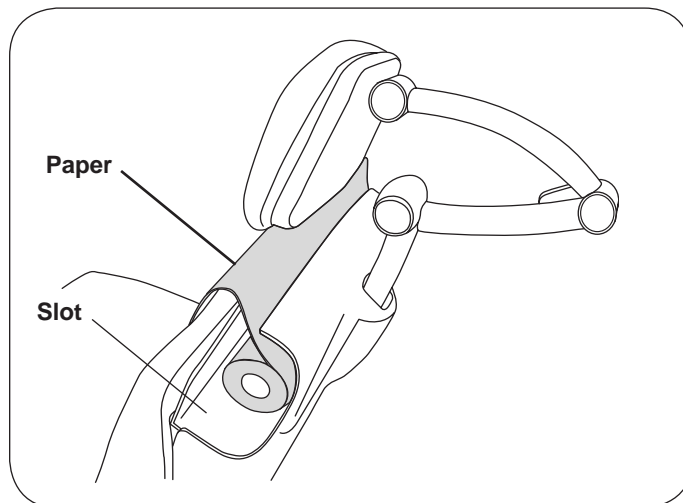


Figure 19. Paper Roll

TABLE ADJUSTMENTS**WARNING****Area Not Clear Hazard**

Before initiating movement keep personnel and equipment clear of table to avoid personal injury or damage to the equipment.

NOTICE**Avoid Continuous Operation**

If the table is operated continuously causing the control to exceed its allowable operating temperature, the control will shut off. If normal operation ceases, do not attempt to operate the table. Allow the table to cool for 10-15 minutes before attempting to use again. The control will automatically reset when it has reached a safe operating temperature.

Table Height

The table top can be adjusted to any height between 19" to 40". (Figure 20)

1. To raise the table, depress and hold the Table/Up function until the desired height is achieved.
2. To lower the table, depress and hold the Table/Down function until the desired height is achieved.

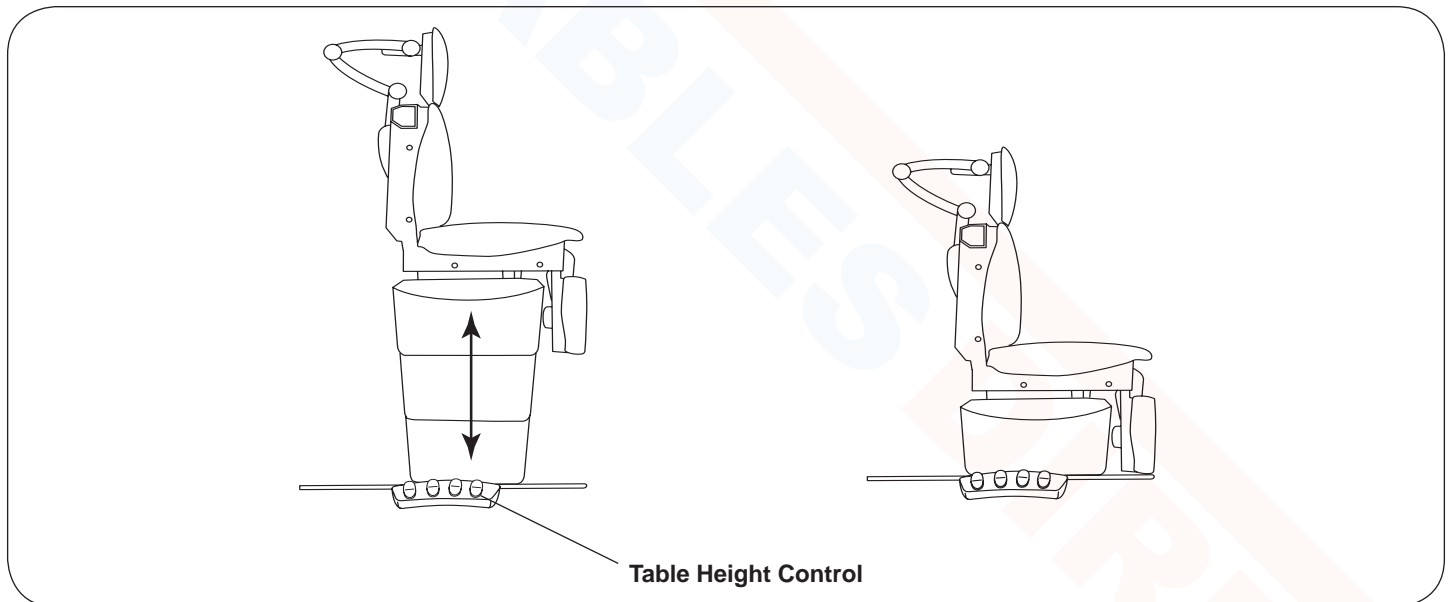


Figure 20. Table Height Positioning

NOTICE**Actuator Travel Limit Protection**

Each control function will automatically stop moving when either the UP or DOWN travel limit is reached. If the foot pedal is pressed with travel at its limit, the actuator will not operate. Sensors prevent the actuator motor from operating when travel limit has been reached, preventing wear of the actuator.

TABLE ADJUSTMENTS (CONTINUED)

Back Positions

The back can be adjusted to any angle between horizontal and 85°. (Figure 21)

1. To adjust the back from a chair (upright) position to a horizontal position, depress and hold the Back/Down function until the desired angle is achieved.
2. To adjust the backrest from a horizontal position to a chair (upright) position, depress and hold the Back/Up function until the desired angle is achieved.

NOTICE

Back Actuator-Push Only

The back is positioned by a “push only” actuator that raises the back. When lowered, the actuator retracts and gravity causes the back to lower.

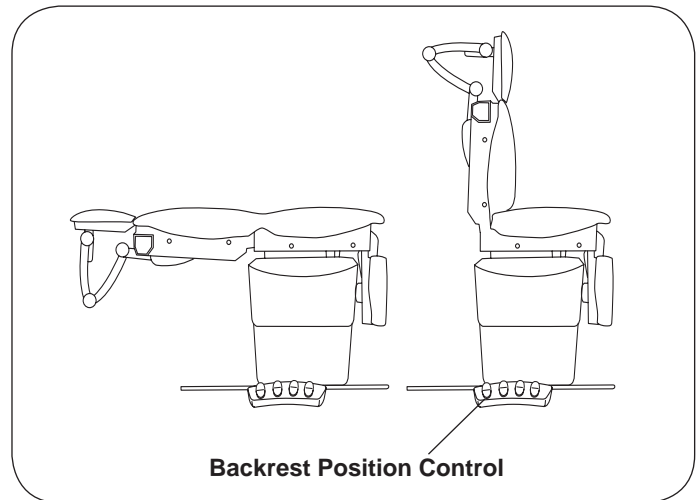


Figure 21. Adjusting Backrest

Tilt Function

The table top can be tilted to any angle between horizontal and +30° (foot end of table raised). (Figure 22).

1. To tilt the foot end of the table upward, depress and hold the Tilt/Up function until the desired angle is achieved.
2. To tilt the foot end of the table downward, depress and hold the Tilt/Down function until the desired angle is achieved.

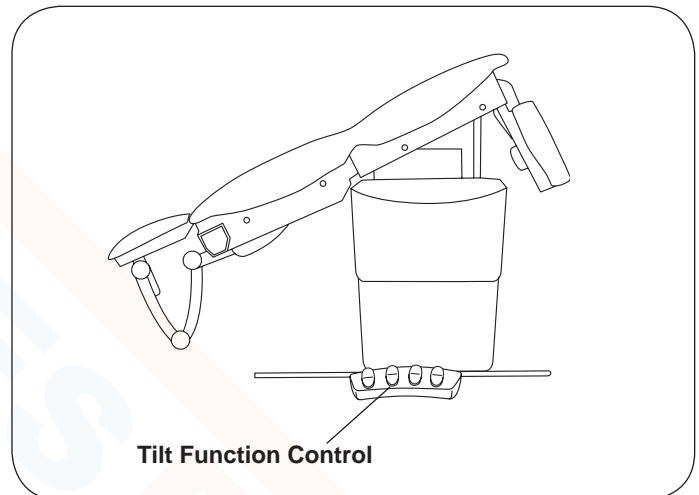


Figure 22. Tilt Function

NOTICE

Headrest Linkage Clearance

Use care when tilting the table to avoid contact between the headrest linkage and the floor or other objects. (Figure 23).

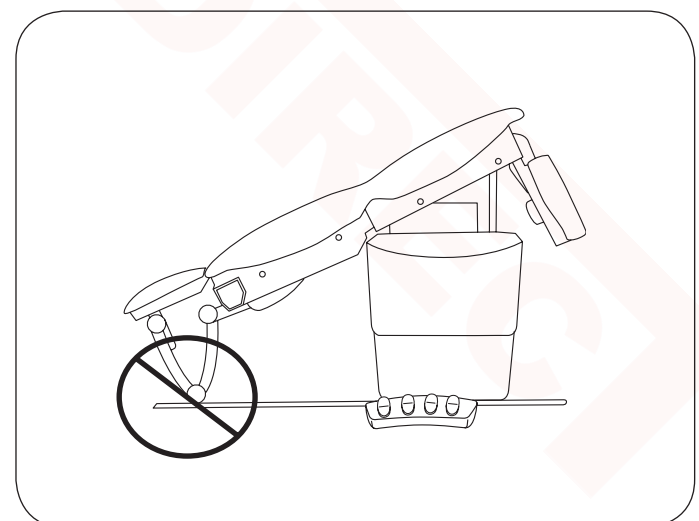


Figure 23. Do Not Allow Headrest to Contact Objects

TABLE ADJUSTMENTS (CONTINUED)

Legrest Positions

The legrest can be adjusted from a horizontal position to a vertical position. Figure 24.

1. To adjust the legrest from a vertical position to a horizontal position, depress and hold the Legrest/Up function until the desired angle is achieved.

2. To adjust the legrest from a horizontal position to a vertical position, depress and hold the Legrest/Down function until the desired angle is achieved.

NOTICE

Treatment Pan Tray Must be Stowed
The legrest will not rise if the treatment pan tray is extended. A light on the foot control labeled "Pan Out" is illuminated. Depressing the legrest up function will cause the light to blink and a double beep alarm to sound. If the legrest is inoperable, check to ensure that the treatment pan tray is in its fully stowed position.

NOTICE

Legrest Actuator-Push Only
The legrest is positioned by a "push only" actuator that raises the legrest. When lowered, the actuator retracts and gravity causes the legrest to lower.

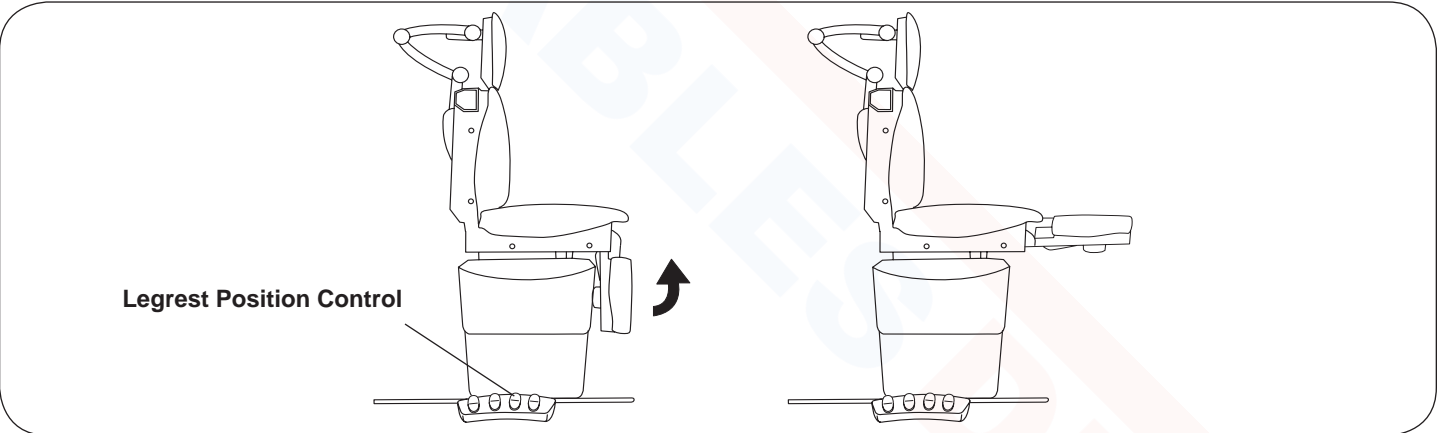


Figure 24. Legrest Positions

TABLE ADJUSTMENTS (CONTINUED)

Using the Program Feature

1. The table can be programmed using the hand pendant or the foot control. Up to four different positions can be programmed.
2. The table is already programmed from the factory with four preset positions. See Figure 25.

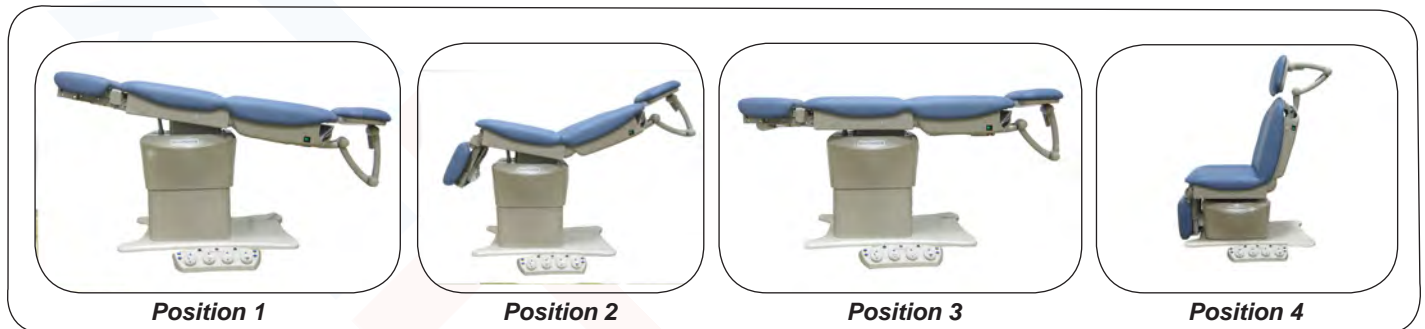


Figure 25

3. Tapping any of the four blue buttons (see Figure 11), numbered 1 through 4, will move the table to the position programmed for that button. When the table is in a programmed position, the blue button for that position will be lit on the foot control.

NOTICE

Treatment Pan Tray Must be Stowed

If the treatment pan tray is out, the position recall will not work if the pre-set position requires the legrest to move upward. Five beeps will sound, and the "Pan Out" indicator light will flash on the foot control.

4. The mode in which the programmed positions are recalled can be set by the end user. The black AUTO-RUN button (Figure 10) is used to set the recall motion to AUTO-RUN "ON" or AUTO-RUN "OFF".
 - In the AUTO-RUN "ON" mode, a single instantaneous touch of a blue Program Recall button will recall that position.
 - In the AUTO-RUN "OFF" mode, the blue Program Recall button must be held down continuously until the table reaches the programmed position.
5. A light on the foot control adjacent to the black AUTO-RUN button will indicate if auto run mode is ON or OFF.
6. To change the program recall mode, depress the black AUTO-RUN button for five seconds, until two beeps are heard.
7. When the table is moving in the auto run mode, motion of the table can be stopped by:
 - a. Tapping the "Stop" button on the foot control.
 - b. Tapping any pedal or button on the foot control.
 - c. Depressing any button on the hand pendant.
 - d. Flipping either of the two lighted switches located at the top of the backrest. See Figure 9.

TABLE ADJUSTMENTS (CONTINUED)

Programming the Table with the Foot Control

1. Move the table to the desired position using the pedals on the foot control. Tap the black “Program” button. The four blue buttons will light for three seconds. Tap one of the blue buttons (1 thru 4). The blue light for that button will stay lit and two beeps will sound to indicate the position has been stored for that button.
2. Move the table to a new position and repeat Step 1 for the remaining blue buttons to store up to 4 programmed positions.
3. To recall one of the four programmed positions, tap the blue button (1 thru 4) corresponding to that position.
4. Any of the programmed positions can be changed by repeating Step 1 above.



Programming the Table with the Hand Pendant

1. Move the table to the desired position using the buttons on the hand pendant. Simultaneously depress the number “1” and number “2” buttons for three seconds. Release the two buttons. Depress one of the four Program buttons (1 thru 4) on the hand pendant to store the position. Two beeps will sound.
2. Move the table to a new position and repeat Step 1 for the three additional program positions.
3. To recall one of the four programmed positions, press the program button (1 thru 4) corresponding to that position
4. To change the AUTO-RUN program recall mode using the hand pendant, simultaneously depress the number “3” and number “4” buttons for five seconds until two beeps are heard.



TABLE ADJUSTMENTS (CONTINUED)

Safety

The table has a built in safety feature which helps avoid injury to the patient or physician when recalling a programmed position in the Auto-Run “ON” mode:

1. The table will stop moving downward once the legrest (in the stowed position) reaches a height of four inches off the ground.
2. The legrest will stop lowering to provide one inch clearance between the legrest actuator and the lift column shrouding.
3. The pelvic tilt will stop raising after moving to an angle of 10 degrees.

MAINTENANCE

Preventative Maintenance

NOTICE

Loose Fasteners and Damaged Components

Failure to perform periodic inspections of the table could result in equipment damage.

- Inspect table every 6 months.
- Periodically inspect the electrical, foot control, and hand pendant cords to ensure they are free of cuts or damage.
- Inspect the mechanical functions to ensure satisfactory operation.
- Check fasteners to make sure they are present and tightened securely.
- Lubricate moving parts (such as back, tilt, and legrest hinges) with a food grade silicon lubricant.

NOTICE

If the table malfunctions, immediately remove your hand or foot from the controls, unplug the power cord from the receptacle, and assist the patient from the table. Service the table prior to use.

WARNING



Shock Hazard

Disconnect power by removing plug from wall receptacle before servicing table.

Table Care

NOTICE

Wipe Spills Immediately!

The upholstery material is resistant to most medicinal type stains, but may be damaged by solvents and dyes. Remove any spilled fluids from the upholstery immediately.

For the latest in Cleaning Guidelines visit:
www.brewercompany.com

WARRANTY

For Brewer Warranty Information:

Visit www.brewercompany.com or contact the Brewer Customer Service Department at (1-888-Brewer1).

ACCESSORIES

Listed below are the accessories which are authorized for use with this table.

Description	Order No.	Use/Restrictions
Urology Tray w/Hose & Bucket	100253	Conveniently and safely captures fluids during urology procedures.
Side Rails (qty 2)	99501	Used to attach accessories. Can be mounted to seat or back.
Universal Socket Clamp (qty 1)	99502	Used to mount deluxe articulating knee crutches to accessory rail.
Welch Allyn IV Light Bracket (customer installed)	102025	For mounting of Welch Allyn IV light.
Grab Bars (qty 2)	99497	Requires 99501 Side Rails for mounting to seat.
Articulating Arm Board	99499	Requires 99501 Side Rails for mounting to backrest.

The following items are required for the Articulating Knee Crutch accessory:

Deluxe Articulating Knee Crutches	99504	Allows leg positioning for ease of examination. Contains one LH and one RH Knee Crutch.
Side Rails (qty 2)	99501	Provides attachment point for Knee Crutch Clamps.
Universal Socket Clamp (qty 1)	99502	Clamps Knee Crutch to Side Rail. Must order (2) two 99502 Universal Socket Clamps.